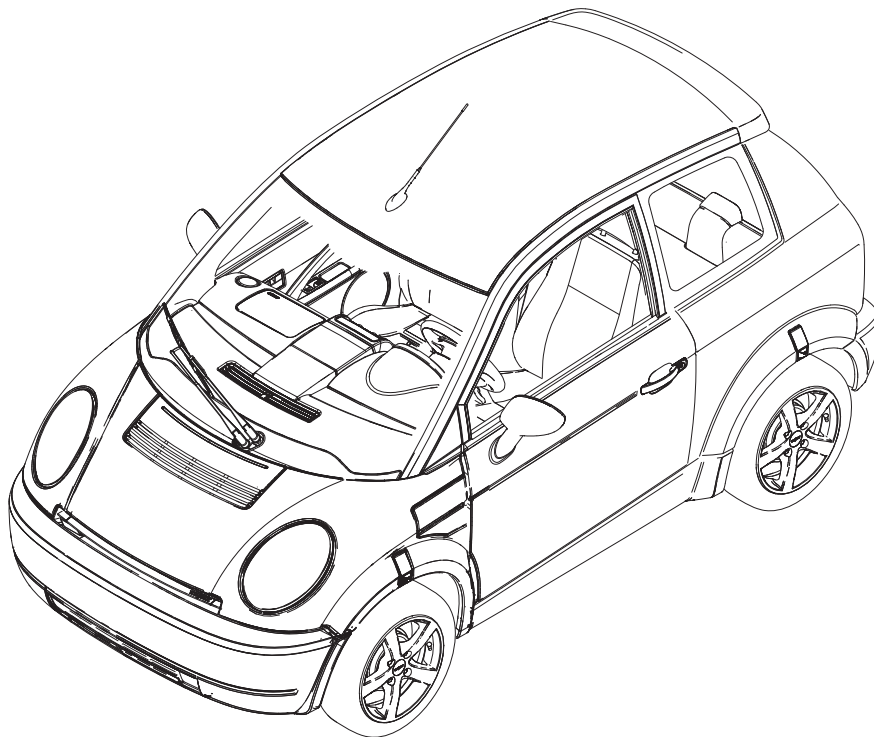




## ***Spare Parts***



### **THINK North America**

22226 Garrison, Dearborn, MI, 48124

P: 313.565.6781

THINK City Service and Part Online Information at:

**Link:** <ftp://ftp.asgren.com/>

**User Name:** Think!

**Password:** 1serviceinfo

**Updated:** August 7, 2012

## About this manual

The purpose of this manual is to give people maintaining the **TH!NK city** information on available spare parts, and necessary information to identify and to order the right spare parts.

With the chassis number to identify actual car, this catalog will have the information needed to specify the parts needed to serve just this car.

The latest update of the catalog is always available in the dealer website.

**Any printed issue of this catalog is for information only and can not be used as secure reference for spare parts.**

## Using this manual

Available spare parts are marked with position numbers in circles and corresponding fastener kits are marked with numbers in squares. Part number, part description and quantity used per. car as well as any remarks are listed in text page to the right.

To find the content of a fastener kit, check the listing in FA1.

All used fastener items are listed in FA2, specifying total amount used for each car.

New part numbers have remarks for which parts they substitute, and reference to specific modifications if needed.

Where different parts fit different chassis numbers, this is specified. Arrows are pointing from and to which chassis numbers the parts fit.

*Sample:*

51	570.8123.A	SD - DAMPING 400X125	2	Replaces 570.8009.C
52	529.1000.I	ASSY ELECTRICAL SUB FRAME	1	XYCFT26B97J001234 → →XYCFT26B97J005678
52	529.1000.J	ASSY ELECTRICAL SUB FRAME	1	XYCFT26B97J005679 → → XYCFT26B97J009101
52	529.1000.K	ASSY ELECTRICAL SUB FRAME	1	XYCFT26B97J009102 →

Illustrations can be viewed in active 3D by clicking inside the illustration. The illustration switches to a 3D view without position numbers, and the illustration can be rotated to any position by holding the left mouse button and moving the cursor. Easiest control is obtained by activating tool button #2 from left in tool bar on top of viewer.

To return to initial view, activate the "house image" in tool bar above viewer.

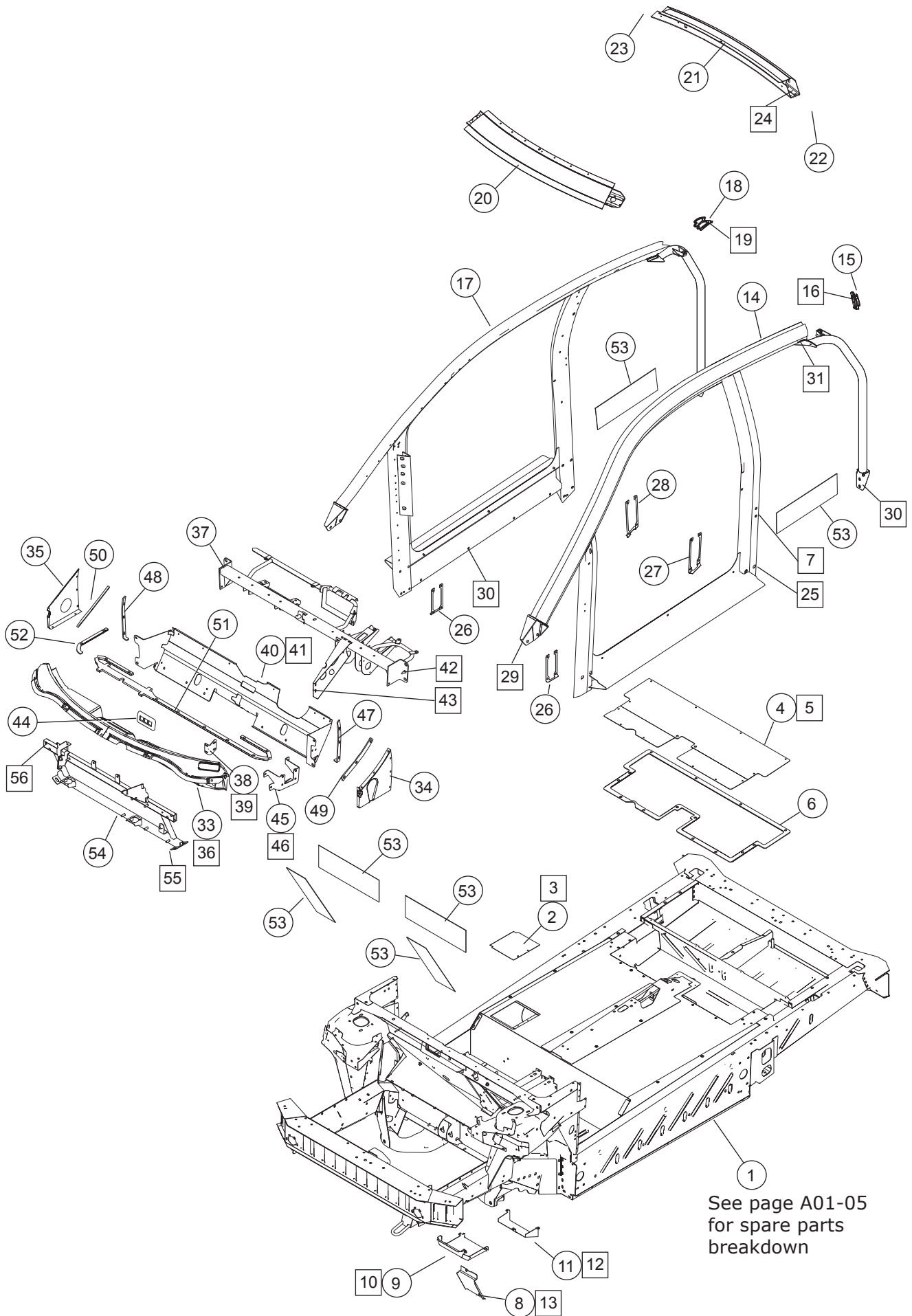
Click actual part in viewer or description in model tree to the left. By right-clicking and marking **Part options** and then **Isolate**, and further the option: **Zoom to Part**, the part can be rotated and studied without interference from surrounding parts.

Option: **Disable 3D**, returns to the standard catalog view with position numbers.

Common abbreviations used:	ASSY	=	ASSEMBLY
	BRKT	=	BRACKET
	CHMSL	=	CENTRAL HIGH MOUNTED STOP LIGHT
	EL	=	ELECTRICAL
	LBL	=	LABEL
	LF	=	LOWER FRAME
	LH	=	LEFT HAND
	LWR	=	LOWER
	PCU	=	POWER CONTROL UNIT
	RH	=	RIGHT HAND
	UF	=	UPPER FRAME
	VS	=	VERSUS (Against)

## **(Group)**

A01	FRAME
A02	BODY PANELS
A03	DOORS
A04	GLASS
A05	EXTERIOR TRIM
B01	MOTOR
B02	TRACTION BATTERY
B03	HIGH VOLTAGE HARNESS
C01	TRANSAXLE
C02	GEARSHIFT
C03	DRIVESHAFTS
D01	FRONT SUSPENSION
D02	REAR SUSPENSION
D03	STEERING
E01	BRAKES
E02	WHEELS
F01	VENTILATION SYSTEM
F02	HEATING SYSTEM
F03	AIR CONDITIONING
G01	BATTERY AND HARNESS
G02	RELAYS AND FUSES
G03	AUXILLIARIES
G04	LIGHTNING
G05	SWITCHES
G06	KEYS AND LOCKS
G07	INFOTAINMENT
H01	DASHBOARD
H02	SEATS
H03	SAFETY RESTRAINTS SYSTEM
H04	INTERIOR TRIM
Z01	ACCESSORIES
FA1	FASTENER KITS
FA2	FASTENER ITEMS

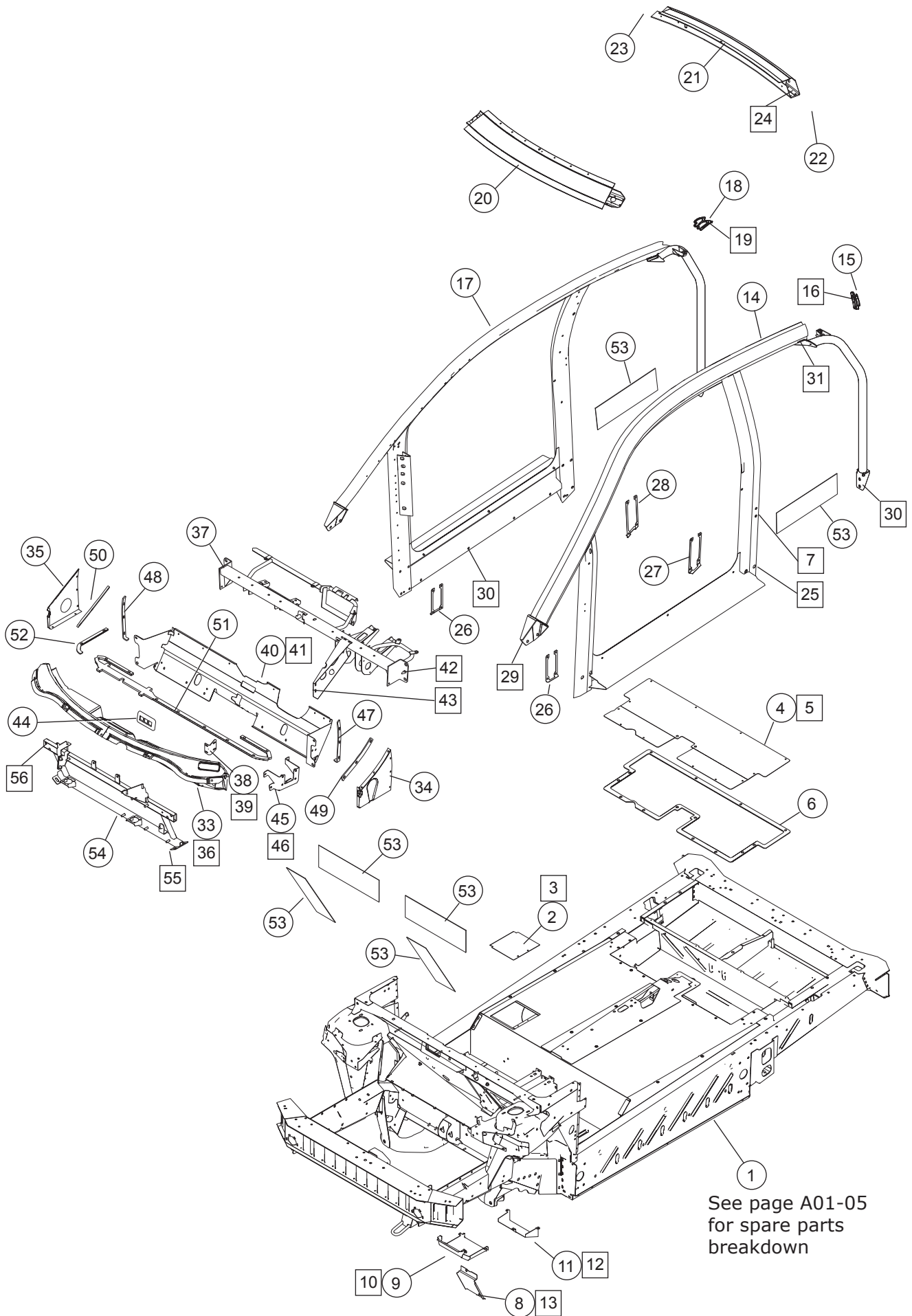


See page A01-05  
for spare parts  
breakdown

Click inside frame to activate 3D-view



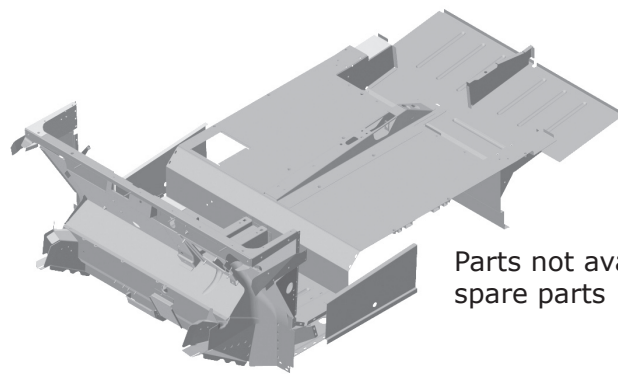
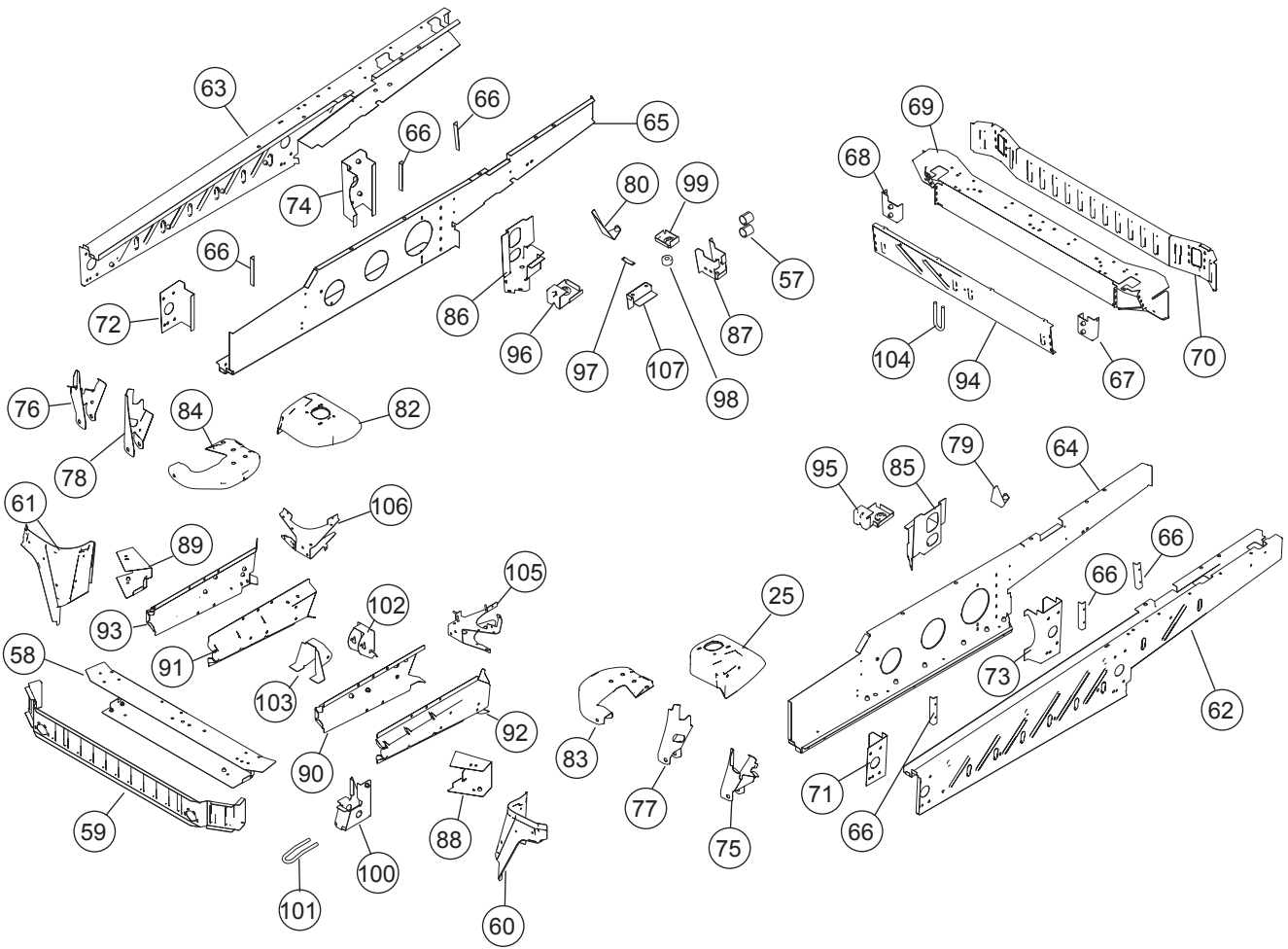
Pos	Part no.	Description	Qty/Assy	Remarks
1	525.0001.L	LOWER FRAME GENERAL ASSEMBLY	1	SEE PAGE A01-05
2	525.8000.B	BATTERY ACCESS LID	1	
3	520.2900.A	FASTENERS, BATT ACC LID TO LF	1	
4	525.8300.D	SEAT DECK LID	1	
5	520.1200.C	FASTENERS, SEAT DECK LID TO LF	1	
6	522.0100.B	SEAT DECK GASKET	1	
7	520.0300.B	FASTENERS, UF TO LF W.HOUSE/VALANCE	1	
8	525.3700.D	FRONT SKID PLATE	1	
9	543.2090.B	BRACKET, SKID PLATE FRONT	1	
10	543.2095.A	FASTENER BRKT SKID PLATE FRONT	1	
11	543.2300.A	BRACKET, SKID PLATE REAR	1	
12	543.2310.A	FASTENER, BRKT SKID PLATE REAR	1	
13	520.1300.C	FASTENERS SKID PLATE TO LOWER FRAME	1	
14	523.0021.B	PAINTED SIDE UPPER FRAME LH	1	
15	568.0061.B	END CAP - CANTRAIL, LH	1	
16	568.8020.A	FASTENERS CANTRAIL CAP	1	
17	523.0022.B	PAINTED SIDE UPPER FRAME RH	1	
18	568.0062.B	END CAP - CANTRAIL, RH	1	
19	568.8020.A	FASTENERS CANTRAIL CAP	1	
20	523.0210A	PAINTED SCREEN HEADER ASSY	1	
21	523.0510.A	PAINTED REAR HEADER ASSY	1	
22	560.3131.A	SEAL CANT RAIL VS. REAR HEADER, LH	1	
23	560.3132.A	SEAL CANT RAIL VS. REAR HEADER, RH	1	
24	520.0090.A	FASTENERS SCR/REAR HEADER TO UF	1	
25	520.0100.C	FASTENERS UF TO LF A-POST & B-POST	1	
26	523.1000.B	BRACKET A-POST WASHER PLATE	2	
27	523.1101.B	BRACKET B-POST WASHER PLATE LH	1	
28	523.1102.B	BRACKET B-POST WASHER PLATE RH	1	
29	520.0200.C	FASTENERS, UF TO LF STRUT CONNECTION	1	
30	520.0400.B	FASTENERS, UF TO LLF SILL CONNECTION	1	
31	520.0500.B	FASTENERS, C-POST TO UPPER FRAME	1	
32	520.0600.B	FASTENERS, C-POST TO LOWER FRAME	1	
33	565.0020.F	UPPER BULKHEAD PANEL, FRONT	1	
34	565.0031.D	UPPER BULKHEAD PANEL, LH	1	
35	565.0032.D	UPPER BULKHEAD PANEL, RH	1	
36	565.8000.B	FASTENERS UPPER BULKHEAD PANEL	1	



See page A01-05  
for spare parts  
breakdown

Click inside frame to activate 3D-view

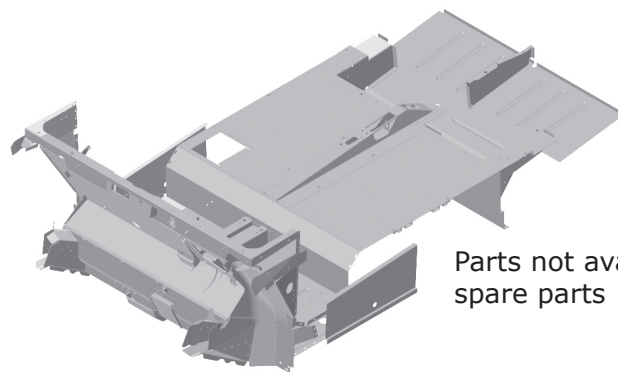
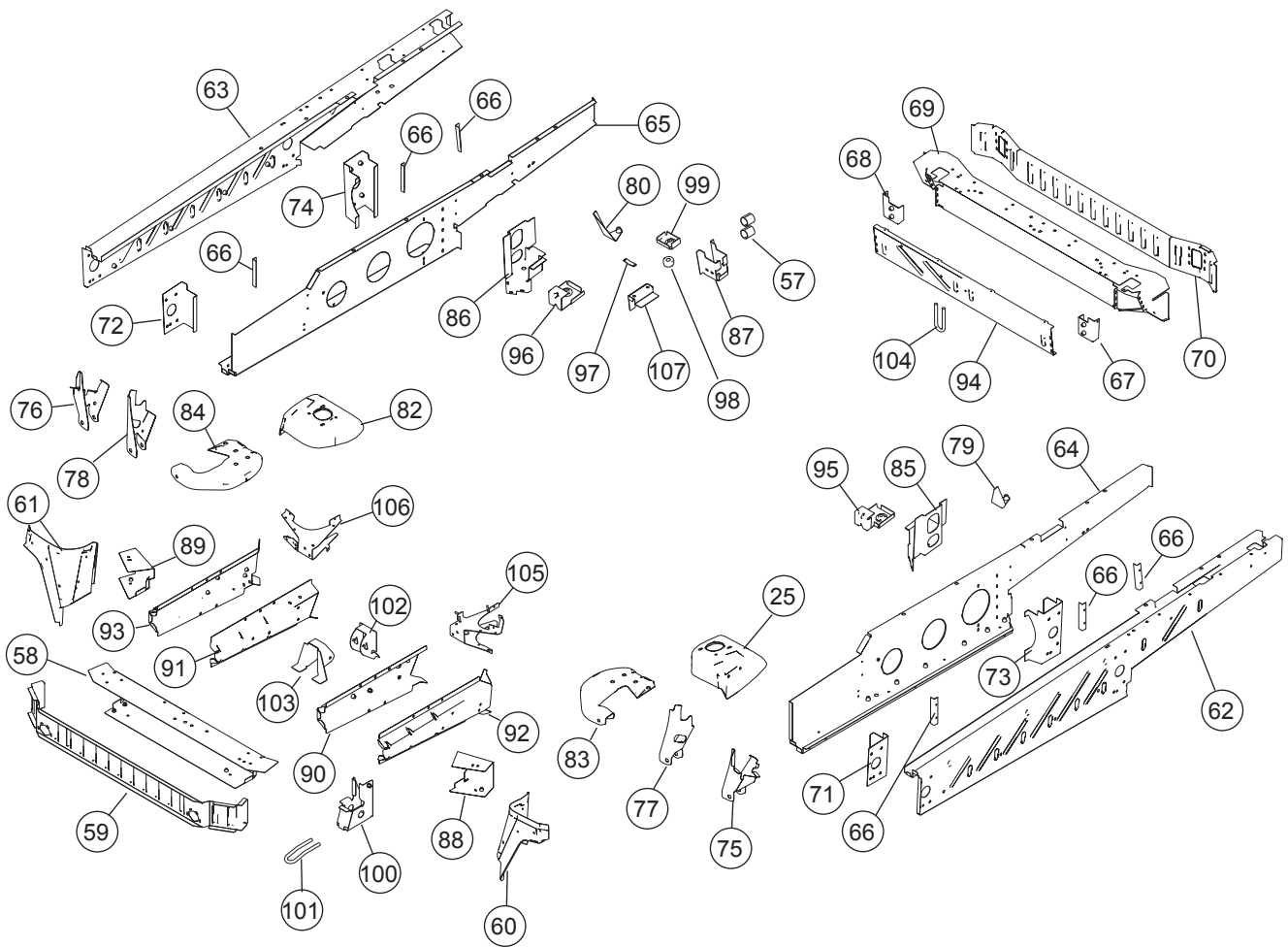
Pos	Part no.	Description	Qty/Assy	Remarks
37	527.0001.G	ASSY DASHBOARD STRUCTURE	1	
38	525.7900.C	DASHBOARD BULKHEAD MOUNT	1	
39	520.3100.A	FASTENERS, DASH BULKHEAD MNT TO LF	1	
40	527.0003.G	ASSY KNEE BOLSTER STRUCTURE	1	
41	520.0900.B	FASTENERS KNEE BOLSTER TO UF	1	
42	520.0700.B	FASTENERS DASH CROSS BEAM TO UF	1	
43	520.0800.B	FASTENERS DASH CROSS BEAM TO LF	1	
44	553.2080.A	PLUG - A/C BULKHEAD	1	
45	560.0280.D	BRACKET, IEC 309	1	
46	560.8110.B	FASTENERS BRACKET IEC 309	1	
47	565.3001.C	SEAL BULKHEAD SIDES VS. A-POST LH	1	
48	565.3002.C	SEAL BULKHEAD SIDES VS. A-POST RH	1	
49	565.3011.C	SEAL BULKHEAD SIDES VS. CANTRAIL LH	1	
50	565.3012.C	SEAL BULKHEAD SIDES VS. CANTRAIL RH	1	
51	565.3020.D	SEAL BULKHEAD VS.TOP CROSSMEMBER	1	
52	565.3040.C	SEAL BULKHEAD VS.POLLEN FILTER	2	
53	570.8009.C	SD - DAMPING 400X125	2	
54	529.1000.I	ASSY ELECTRICAL SUB FRAME	1	
55	520.2100.B	FASTENERS EL.SUBFRAME TO FRAME RAILS	1	
56	520.2200.C	FASTENERS EL.SUBFRAME TO STRUT TOWERS	1	



Parts not available as spare parts

Click inside frame to activate 3D-view

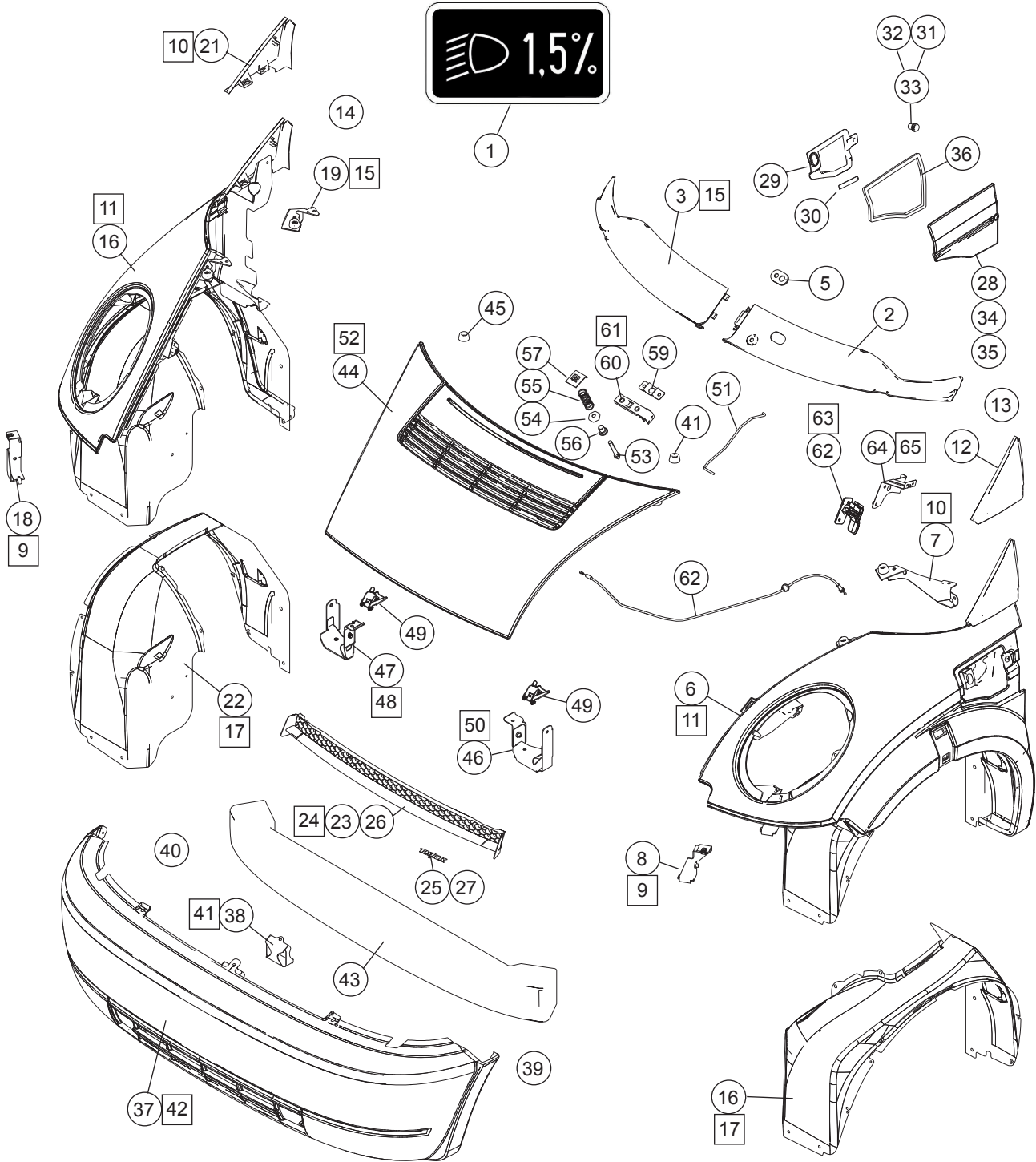
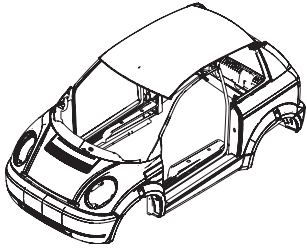
Pos	Part no.	Description	Qty/Assy	Remarks
57	524.1200.B	VENT PIPE	1	
58	525.0100.J	FRONT BUMPER ARMATURE	1	
59	525.0200.E	FRONT BUMPER CLOSURE	1	
60	525.0601.E	TOWER LH	1	
61	525.0602.E	TOWER RH	1	
62	525.0701.H	SILL OUTER LH	1	
63	525.0702.H	SILL OUTER RH	1	
64	525.0801.J	SILL INNER LH	1	
65	525.0802.J	SILL INNER RH	1	
66	525.1500.D	UNIVERSAL BRACKET	1	
67	525.1901.B	C-PILLAR MOUNTING BRKT LH	1	
68	525.1902.B	C-PILLAR MOUNTING BRKT RH	1	
69	525.2200.F	REAR BUMPER ARMATURE	1	
70	525.2300.D	REAR BUMPER CLOSURE	1	
71	525.2401.E	A-POST REINFORCEMENT LH	1	
72	525.2402.E	A-POST REINFORCEMENT RH	1	
73	525.2501.E	B-POST REINFORCEMENT LH	1	
74	525.2502.E	B-POST REINFORCEMENT RH	1	
75	525.2801.F	FRONT SUSPENSION BRKT OUTER LH	1	
76	525.2802.F	FRONT SUSPENSION BRKT OUTER LH	1	
77	525.2901.D	FRONT SUSPENSION BRKT INNER LH	1	
78	525.2902.D	FRONT SUSPENSION BRKT INNER LH	1	
79	525.3301.B	BUMP STOP BRKT LH	1	
80	525.3302.B	BUMP STOP BRKT RH	1	
81	525.3401.E	STRUT TOP LH	1	
82	525.3402.E	STRUT TOP RH	1	
83	525.3601.F	BULLSHORN LH	1	
84	525.3602.F	BULLSHORN RH	1	
85	525.4001.C	RR SUSPENSION MTG BRKT FRONT LH	1	
86	525.4002.C	RR SUSPENSION MTG BRKT FRONT RH	1	
87	525.4100.C	REAR SUSPENSION MOUNTING BRKT REAR	2	
88	525.4501.C	EXTENSION FRONT BUMPER LH	1	
89	525.4502.C	EXTENSION FRONT BUMPER RH	1	
90	525.4601.F	FRONT RAIL INNER LH	1	
91	525.4602.F	FRONT RAIL INNER RH	1	



Parts not available as spare parts

Click inside frame to activate 3D-view

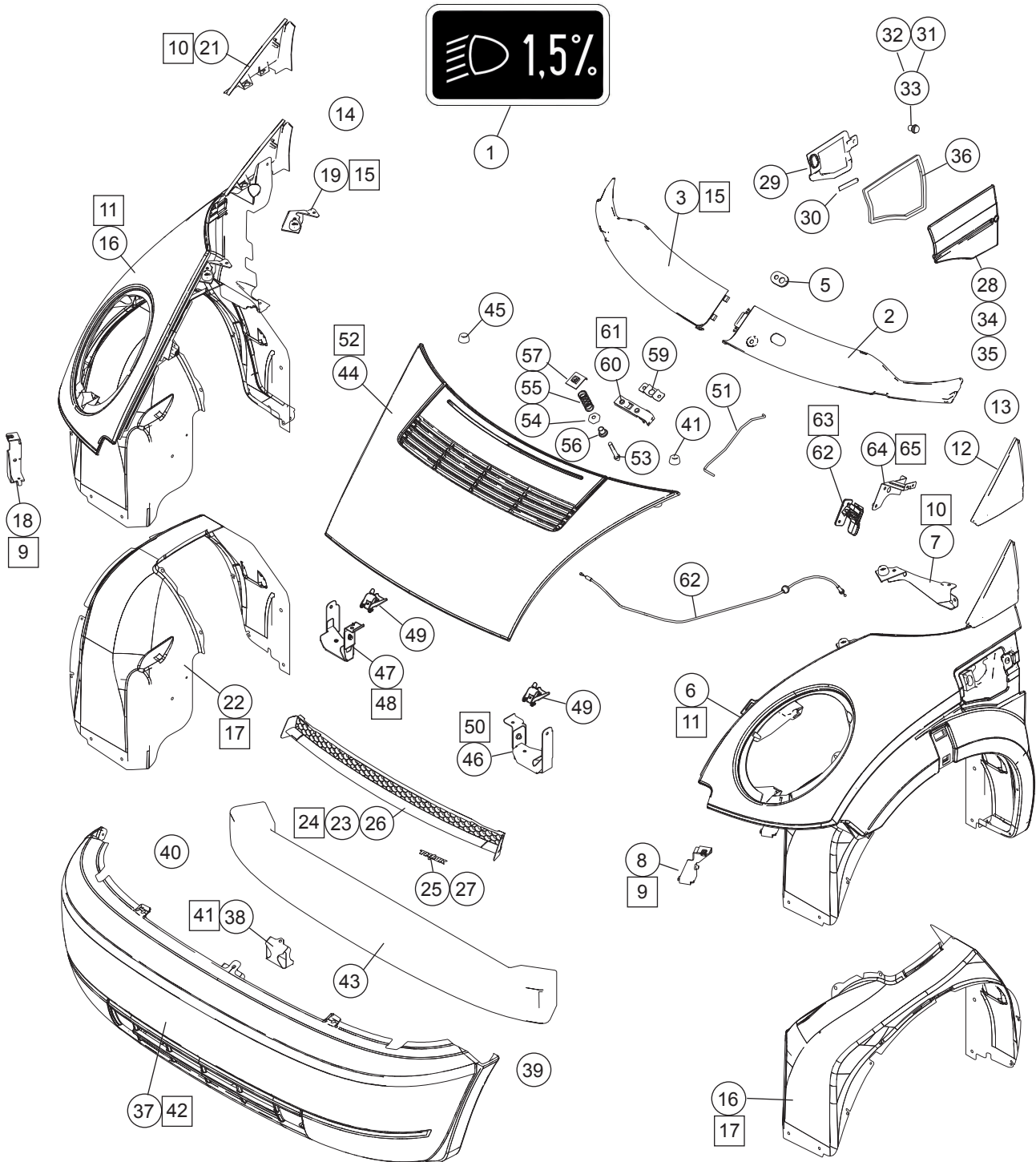
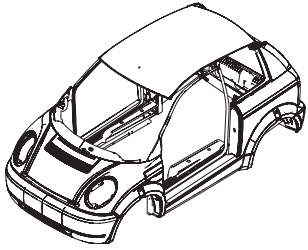
Pos	Part no.	Description	Qty/Assy	Remarks
92	525.4701.F	FRONT RAIL OUTER LH	1	
93	525.4702.F	FRONT RAIL OUTER RH	1	
94	525.5100.F	REAR DIVIDER WALL	1	
95	525.5201.C	REAR SUSPENSION CORNER REINF. LH	1	
96	525.5202.C	REAR SUSPENSION CORNER REINF. RH	1	
97	525.5300.C	REAR BUMPSTOP MOUNTING STRIP	2	
98	525.6400.A	REAR SUSPENSION SPACER	2	
99	525.6500.A	REAR SUSP MTG BRKT UPPER	2	
100	525.7700.F	FRONT TOW EYE	1	
101	525.7750.A	FRONT TOW EYE ROD	1	
102	525.8700.E	REAR MOTOR MOUNT FRAME	1	
103	525.9200.D	FRONT MOTOR MOUNT FRAME	1	
104	525.9600.D	REAR TIE DOWN	1	
105	525.9701.H	EL. SUBFRAME MOUNTING BRKT LH	1	
106	525.9702.H	EL. SUBFRAME MOUNTING BRKT RH	1	
107	525.9800.C	REINFORCEMENT SEATBELT RETRACTOR	2	



Click inside frame to activate 3D-view

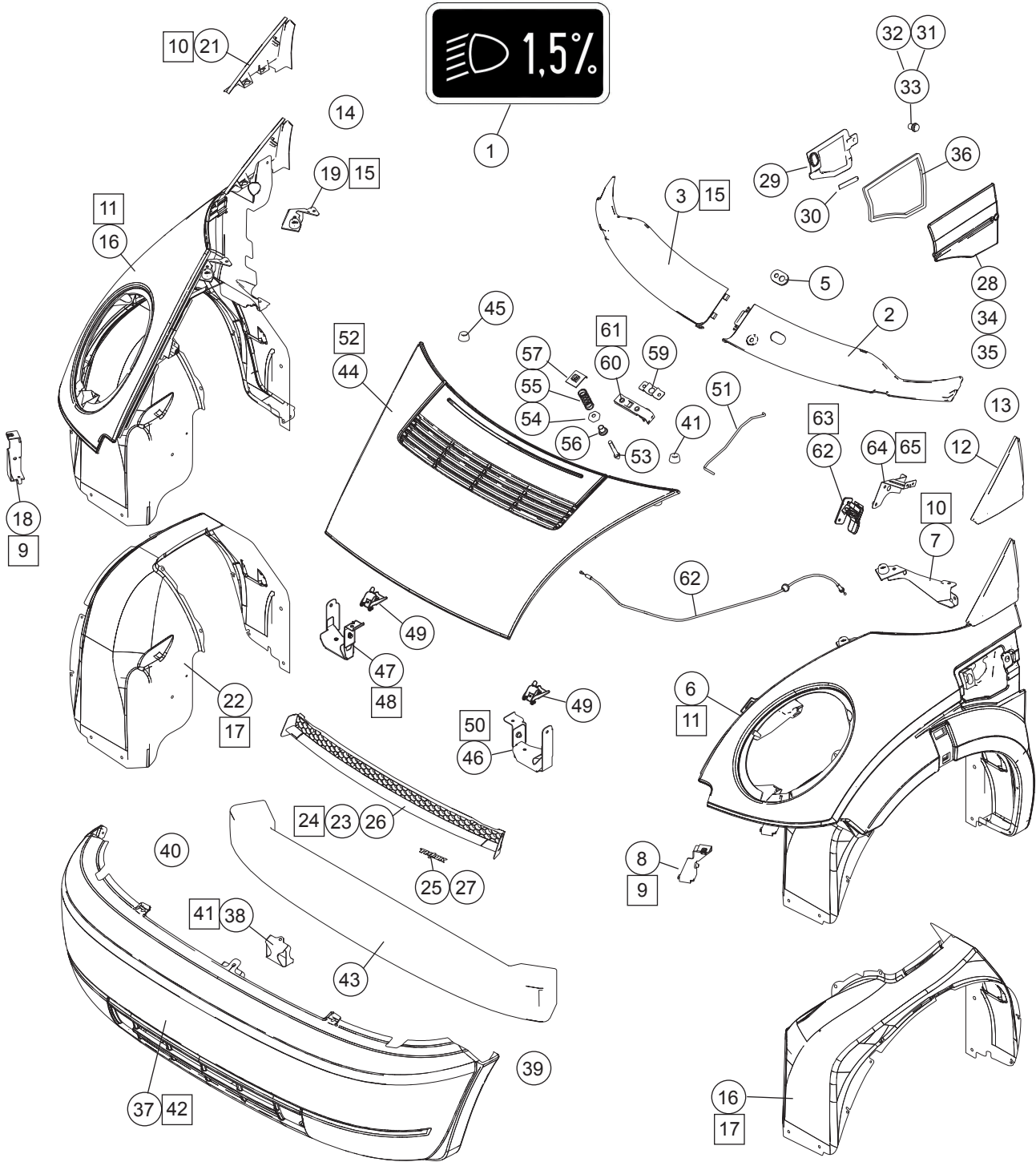
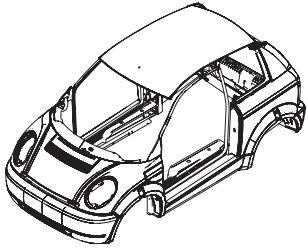


Pos	Part no.	Description	Qty/Assy	Remarks
1	562.0910.C	LBL - DIPPED BEAM INCLINATION	1	
2	565.0011.D	LEAF SCREEN, LH	1	
3	565.0012.D	LEAF SCREEN, RH	1	
4	565.8040.C	FASTENERS LEAF SCREEN	1	
5	565.0130.A	WIPER SHAFT AND POST SEAL	1	
6	560.1021.E	FRONT FENDER ASSY LH		
	- 08	FRONT FENDER ASSY LH BLACK	1	
	- 09	FRONT FENDER ASSY LH RED	1	
	- 10	FRONT FENDER ASSY LH BLUE	1	
7	560.0241.D	BRACKET FENDER,RR, LH	1	
8	560.0291.D	BRACKET FENDER FRONT LH	1	
9	560.8190.B	FASTENERS BRACKET FRONT FENDER	2	
10	560.8130.B	FASTENERS BRACKET FENDER	2	
11	560.8060.C	FASTENERS FENDER	2	
12	568.0021.D	FINISHER FRONT QUARTER, LH	1	
13	568.0081.A	BRKT FRONT QUARTER FINNISHER, LH	1	
14	568.0082.A	BRKT FRONT QUARTER FINNISHER, RH	1	
15	568.8050.B	FASTENERS FINISHER FRONT QUARTER	2	
16	567.0081.E	FRONT WHEELHOUSE LINER LH	1	
17	567.8030.C	FASTENERS FRONT WHEELHOUSE	2	
18	560.1022.E	FRONT FENDER ASSY RH		
	- 08	FRONT FENDER ASSY RH BLACK	1	
	- 09	FRONT FENDER ASSY RH RED	1	
	- 10	FRONT FENDER ASSY RH BLUE	1	
19	560.0242.D	BRACKET FENDER,RR,RH	1	
20	560.0292.D	BRACKET FENDER FRONT RH	1	
21	568.0022.D	FINISHER FRONT QUARTER, RH	1	
22	567.0082.E	FRONT WHEELHOUSE LINER RH	1	
23	568.0010.F	FRONT GRILLE	1	
24	568.8040.B	FASTENERS FRONT GRILLE	1	
25	568.0011.A	GRILLE LOGO SILVER	1	
26	568.0015.B	FRONT GRILLE SILVER	1	
27	568.0016.A	GRILLE LOGO BLACK	1	



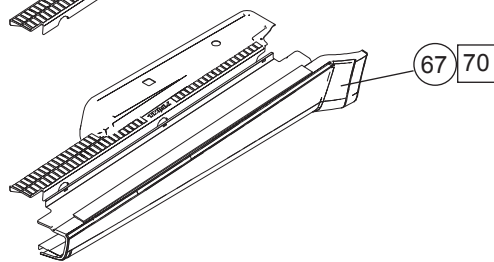
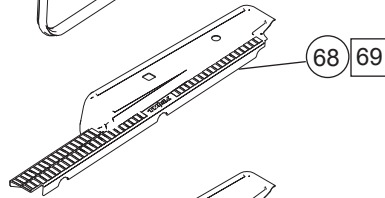
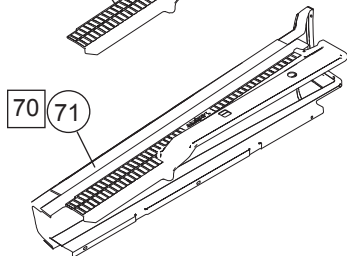
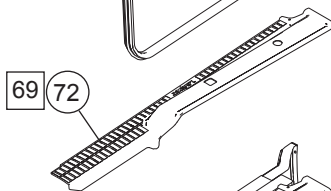
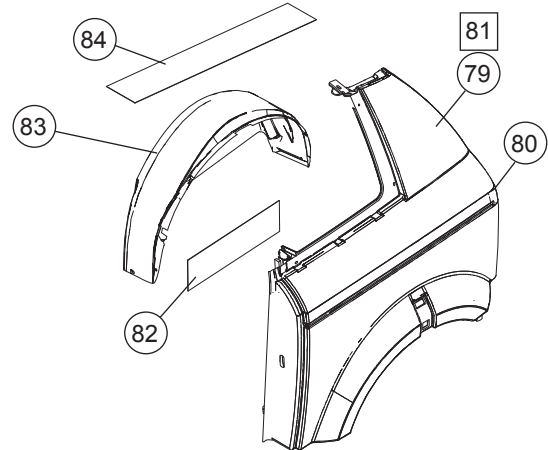
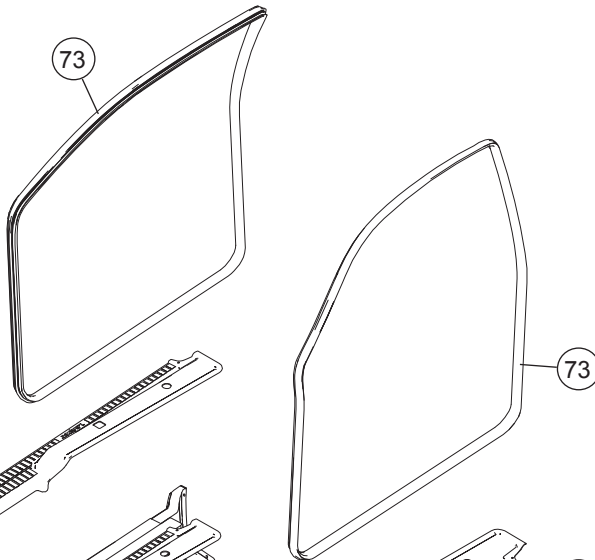
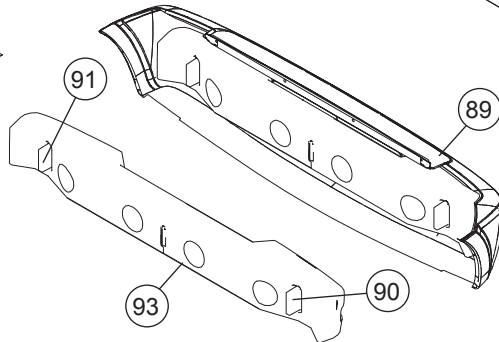
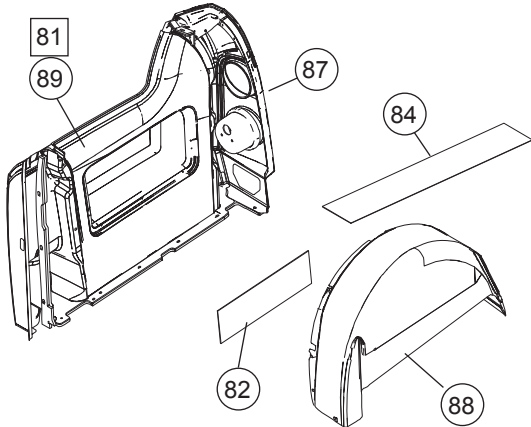
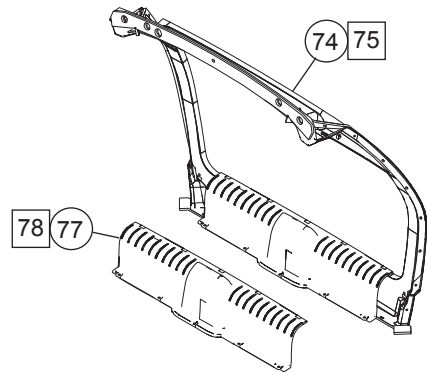
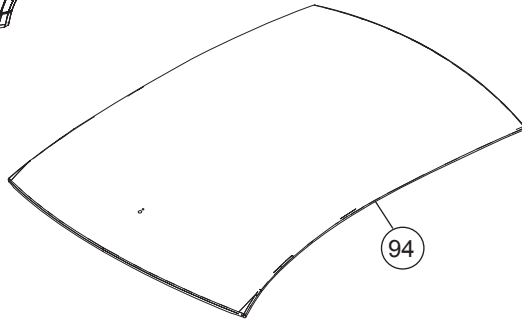
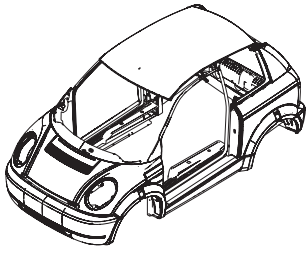
Click inside frame to activate 3D-view

Pos	Part no.	Description	Qty/Assy	Remarks
28	560.0070.E	CHARGE INLET DOOR		
	- 08	CHARGE INLET DOOR BLACK	1	
	- 09	CHARGE INLET DOOR RED	1	
	- 10	CHARGE INLET DOOR BLUE	1	
29	560.0170.E	REINFORCEMENT, CHARGE DOOR		
30	560.0175.B	SPRING, CHARGE DOOR	1	
31	560.0177.A	MAGNET, CHARGE DOOR	1	
32	560.0300.D	STRIKER, CHARGE DOOR	1	
33	560.0305.A	MAGNET STRIKER, CHARGE DOOR	1	
34	560.0400.A	LBL - CHARGE DOOR, ZEBRA	1	
35	560.0420.A	LBL - CHARGE DOOR, HV WARNING	1	
36	560.3010.C	SEAL CHARGE DOOR	1	
37	567.1010.E	FRONT BUMPER ASSEMBLY		
	- 08	FRONT BUMPER ASSEMBLY BLACK	1	
	- 09	FRONT BUMPER ASSEMBLY RED	1	
	- 10	FRONT BUMPER ASSEMBLY BLUE	1	
38	560.0230.C	BRACKET FRONT BUMPER	1	
39	567.0120.A	BRKT FRONT BUMPER LOWER, LH	1	
40	567.0130.A	BRKT FRONT BUMPER LOWER, RH	1	
41	560.8180.C	FASTENERS BRACKET FRONT BUMPER	1	
42	567.8010.C	FASTENERS FRONT BUMPER	1	
43	567.0010.E	FRONT BUMPER FOAM	1	
44	560.1010.E	HOOD PANEL ASSY		
	- 08	HOOD PANEL ASSY BLACK	1	
	- 09	HOOD PANEL ASSY RED	1	
	- 10	HOOD PANEL ASSY BLUE	1	
45	560.0360.A	BUMP STOP - HOOD	2	
46	560.0201.E	BRACKET HOOD HINGE,LH	1	
47	560.0202.E	BRACKET HOOD HINGE,RH	1	
48	560.8150.C	FASTENERS BRACKET HOOD HINGE	1	
49	560.0210.D	BRACKET UPPER HOOD HINGE	2	
50	560.8140.B	FASTENERS HOOD HINGE	1	
51	563.0100.E	PROP-HOOD	1	



Click inside frame to activate 3D-view

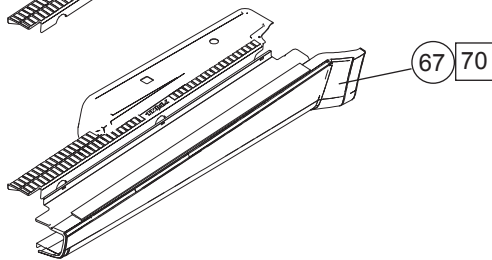
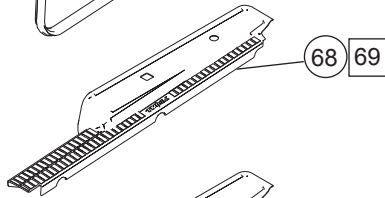
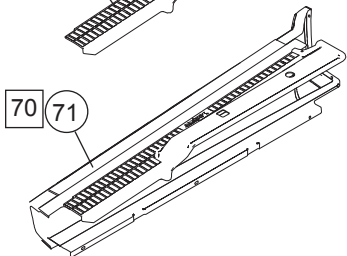
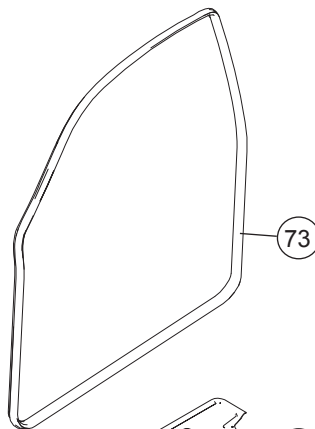
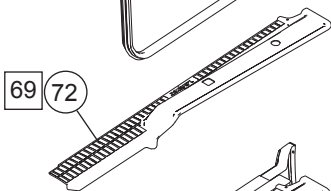
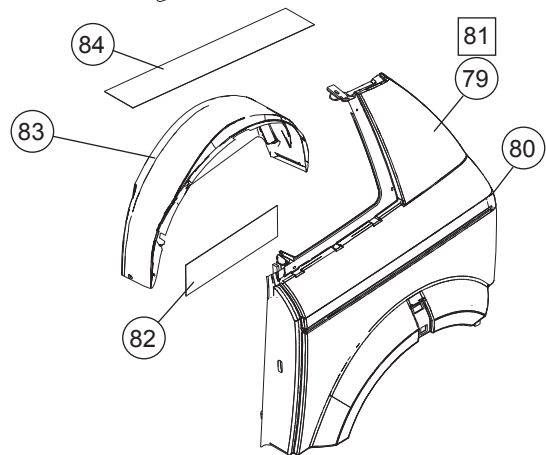
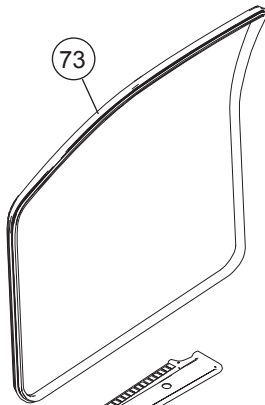
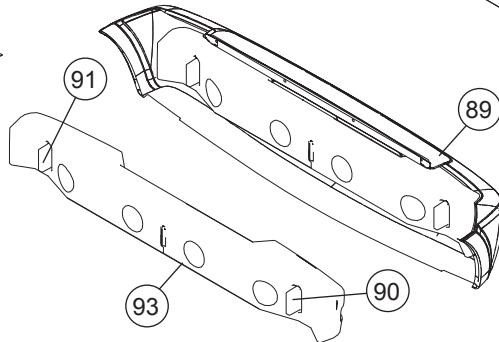
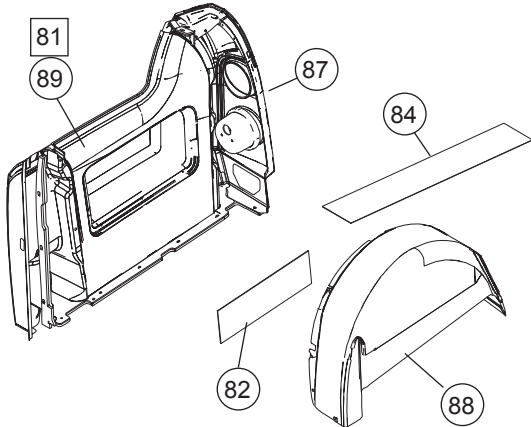
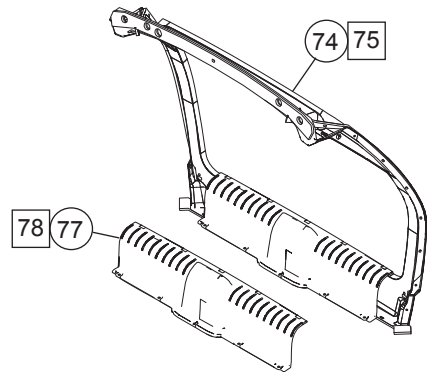
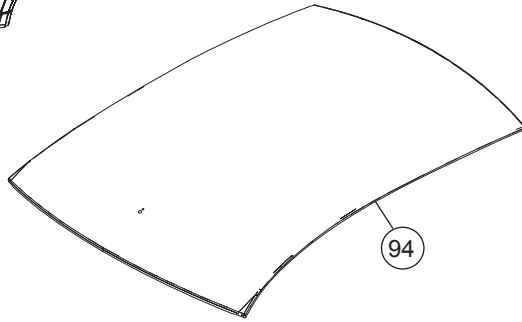
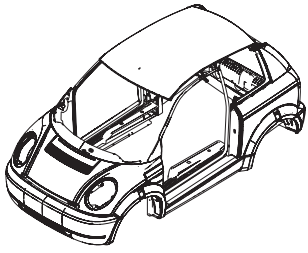
Pos	Part no.	Description	Qty/Assy	Remarks
52	560.8170.D	FASTENERS HOOD	1	
53	563.0010.B	PIN - HOOD STRIKER	1	
54	563.0110.B	NUT - HOOD STRIKER	1	
55	563.0120.B	SPRING - HOOD STRIKER	1	
56	563.0130.B	CUP - HOOD STRIKER	1	
57	563.0200.B	BRACKET HOOD STRIKER	1	
58	543.2071.A	HOOD AJAR SWITCH	1	
59	563.0140.A	GUIDE PLATE - HOOD LATCH	1	
60	563.0020.A	LATCH - HOOD	1	
61	563.8050.B	FASTENERS HOOD LATCH	1	
62	563.0040.A	HANDLE - HOOD RELEASE	1	
63	563.8070.B	FASTENERS HANDLE RELEASE HOOD	1	
64	563.0210.C	BRACKET HOOD RELEASE HANDLE	1	
65	563.8060.B	FASTENERS BRACKET HOOD RELEASE	1	
66	563.0030.C	CABLE - HOOD RELEASE	1	



Click inside frame to activate 3D-view

Pos	Part no.	Description	Qty/Assy	Remarks
67	560.1061.A	ROCKER PANELS ASSY LH		
	- 08	ROCKER PANELS ASSY LH BLACK	1	
	- 09	ROCKER PANELS ASSY LH RED	1	
	- 10	ROCKER PANELS ASSY LH BLUE	1	
68	570.8041.F	INT. SILL PROTECTION, LH	1	
69	570.8050.C	FASTENERS - SILL PROTECTION	2	
70	560.8020.C	FASTENERS ROCKER PANEL	2	
71	560.1062.A	ROCKER PANELS ASSY RH		
	- 08	ROCKER PANELS ASSY RH BLACK	1	
	- 09	ROCKER PANELS ASSY RH RED	1	
	- 10	ROCKER PANELS ASSY RH BLUE	1	
72	570.8042.F	INT. SILL PROTECTION, RH	1	
73	504.0010.D	SEAL - PRIMARY, DOOR	2	
74	560.1070.A	REAR END PANEL ASSY	1	
75	560.8070.C	FASTENERS REAR END PANEL	1	
76	560.8080.B	FASTENERS REAR END TO BODYSIDE	1	
77	570.1055.E	LIFT GATE SILLMOULDING	1	
78	570.1056.C	FASTENERS - LIFTGATE SILLMOULDING	1	
79	560.1041.G	BODYSIDE ASSY LH		
	- 08	BODYSIDE ASSY LH BLACK	1	
	- 09	BODYSIDE ASSY LH RED	1	
	- 10	BODYSIDE ASSY LH BLUE	1	
80	560.3141.A	SEAL BODYSIDE INNER VS. LAMP PANEL, LH	1	
81	560.8040.C	FASTENERS BODYSIDE	2	
82	570.8009.C	SD - DAMPING 400X125	2	
83	567.0091.G	REAR WHEELHOUSE LINER LH	1	
84	570.8007.C	SD - DAMPING 800X125	2	
85	567.8040.C	FASTENERS REAR WHEELHOUSE	2	
86	560.1042.G	BODYSIDE ASSY RH		
	- 08	BODYSIDE ASSYRH BLACK	1	
	- 09	BODYSIDE ASSY RH RED	1	
	- 10	BODYSIDE ASSY RH BLUE	1	

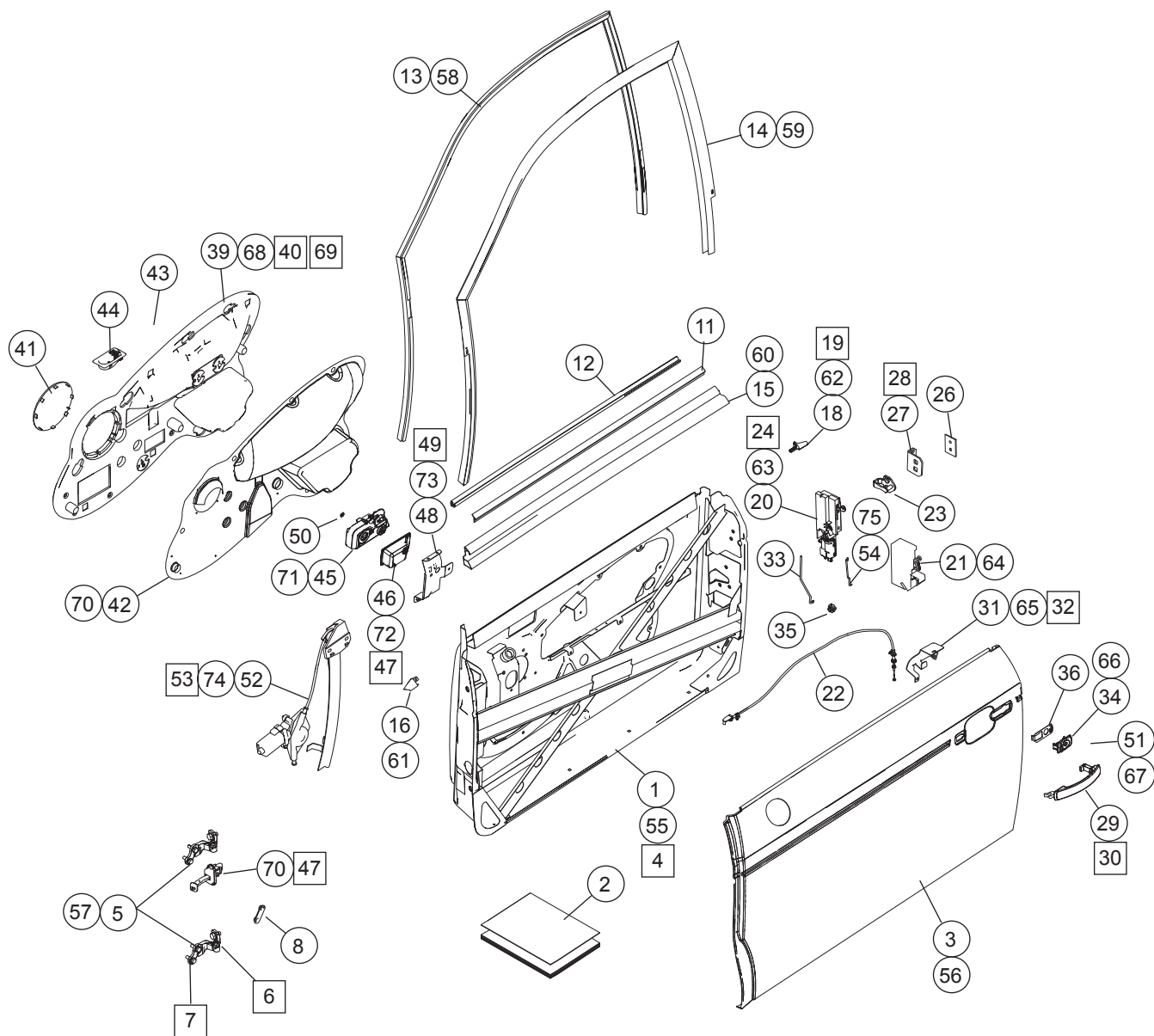




Click inside frame to activate 3D-view



Pos	Part no.	Description	Qty/Assy	Remarks
87	560.3142.A	SEAL BODYSIDE INNER VS. LAMP PANEL, RH	1	
88	567.0092.G	REAR WHEELHOUSE LINER RH	1	
89	567.1020.E	REAR BUMPER ASSEMBLY		
	- 08	REAR BUMPER ASSEMBLY BLACK	1	
	- 09	REAR BUMPER ASSEMBLY RED	1	
	- 10	REAR BUMPER ASSEMBLY BLUE	1	
90	567.0111.A	BRKT REAR BUMPER LOWER, LH	1	
91	567.0112.A	BRKT REAR BUMPER LOWER, LH	1	
92	567.8020.C	FASTENERS REAR BUMPER	1	
93	567.0020.E	REAR BUMPER FOAM	1	
94	560.0080.F	ROOF PANEL	1	

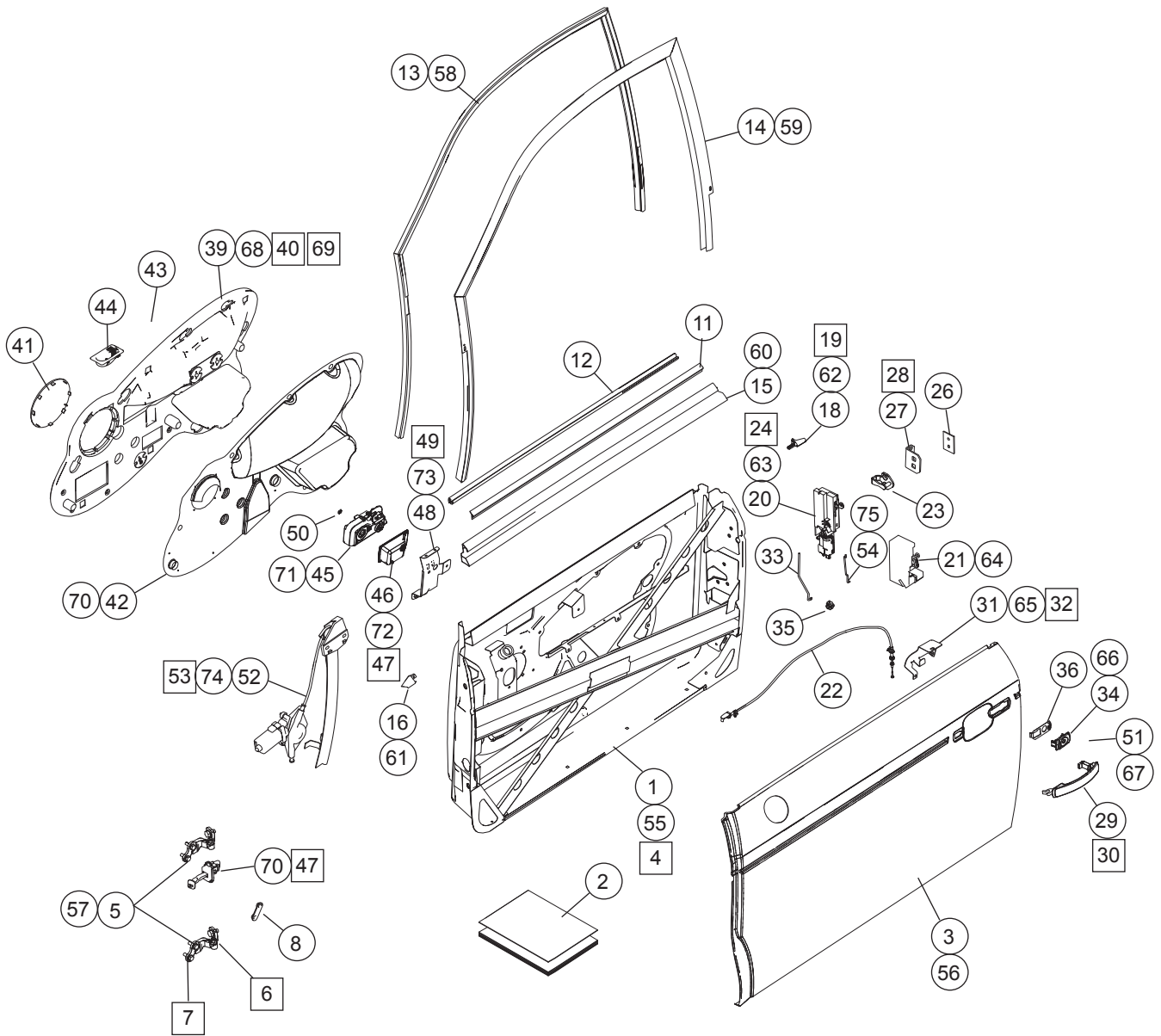


Click inside frame to activate 3D-view

Pos	Part no.	Description	Qty/Assy	Remarks
1	526.0001.J	DOOR ASSEMBLY LH	1	
2	570.8005.C	SD - DAMPING 280X200	4	
3	560.0031.G	DOOR PANEL OUTER, LH		
	- 08	DOOR PANEL OUTER, LH BLACK	1	
	- 09	DOOR PANEL OUTER, LH RED	1	
	- 10	DOOR PANEL OUTER, LH BLUE	1	
4	560.8050.C	FASTENERS DOOR	2	
5	503.4011.A	DOOR HINGE LH	2	
6	503.0120.C	FASTENERS DOOR HINGES-DOOR	2	
7	503.0130.C	FASTENERS DOOR HINGES-FRAME	2	
8	503.4040.B	BRKT NUT PLATE DOOR HINGE M10 2 HOLES	4	
9	503.4010.D	CHECK ASSY DOOR	2	
10	503.0140.C	FASTENERS DOOR CHECK ARM	2	
11	504.0020.A	SEAL - WAIST, INNER - DOOR	2	
12	504.0030.D	SEAL - WAIST, OUTER - DOOR	2	
13	504.0051.E	SEAL GLASS RUN, DOOR LH	1	
14	526.0051.G	GLASS HOLDER FRAME ASSEMBLY LH	1	
15	526.0061.F	WAIST RAIL OUTER LH	1	
16	568.0031.F	FRONT CAP-WAISTRAIL, LH	1	
17	568.8030.C	FASTENERS FRONT WAISTRAIL CAP	2	
18	568.0041.C	WAISTRAIL CAP, REAR LH	1	
19	568.8010.C	FASTENERS WAISTRAIL CAP	2	
20	503.5001.A	CENTRAL LOCK SYSTEM ASSY , LH	1	
21	503.5003.B	MAN LATCH SYSTEM ASSY, LH	1	
22	503.5050.A	MAN WIRE INSIDE HANDLE	2	
23	503.5040.A	DOOR LATCH STRIKER	2	
24	503.0070.D	FASTENERS DOOR LATCH	2	
25	503.0080.C	FASTENERS DOOR LATCH STRIKER	2	
26	503.5060.A	PLATE STRIKER PIN	2	
27	503.7020.B	BRKT STRIKER HOLDER	2	
28	503.0160.C	FASTENERS DOOR STRIKER BRKT	2	
29	503.5010.B	OUTSIDE HANDLE	2	
30	503.0040.C	FASTENERS DOOR OUTER HANDLE PLATE	2	
31	503.5061.E	BRKT OUTSIDE HANDLE, DOOR, LH	1	
32	503.0110.C	FASTENERS DOOR OUTER HANDLE BRKT	2	

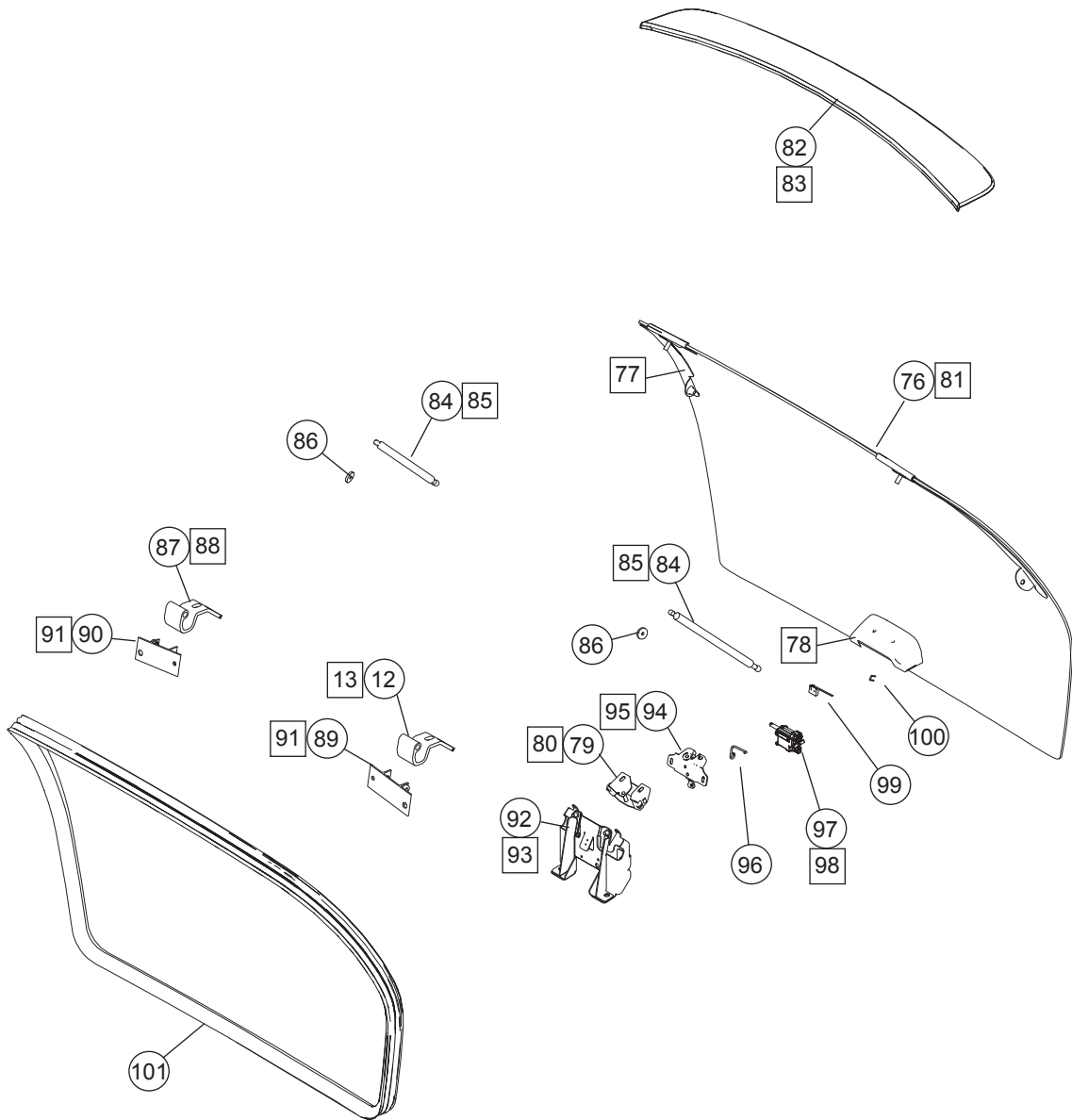


Pos	Part no.	Description	Qty/Assy	Remarks
33	503.5080.A	ROD OUTER HANDLE	2	
34	503.5120.B	BEZEL OUTSIDE HANDLE WITH LOCK CYL.	2	
35	503.5170.A	ADJUSTABLE CLIP ROD OUTER HANDLE	2	
36	503.5160.A	PAD OUTER HANDLE	2	
37	503.5210.A	CLIP ROD OUTER HANDLE	2	
38	503.5051.A	HANDLE PLATE LH WITH LOCK CYL.	1	
39	570.4100.F	ASSY - DOOR PANEL TRIM, LH	1	
40	570.4150.C	FASTENERS - DOOR PANEL TRIM LH/RH	2	
41	572.1061.A	SPEAKER GRILL LH/RH	2	
42	503.7001.B	WATER SHEDDER LH	1	
43	570.4009.A	INT. DOOR INSERT ARMREST, LH/RH	2	
44	570.4011.H	COIN TRAY FOR PULL CUP APERTURE LH/RH	2	
45	503.5021.A	DOOR INSIDE HANDLE LH	1	
46	503.5011.A	BEZEL DOOR INSIDE HANDLE LH	1	
47	503.0050.C	FASTENERS DOOR INSIDE HANDLE BEZEL	2	
48	526.0101.E	BRKT INSIDE HANDLE LH	1	
49	503.0060.C	FASTENERS DOOR INSIDE HANDLE BRKT	2	
50	503.5100.A	COVER INSIDE HANDLE SCREW	2	
51	503.5110.A	RETAINER CLIP	2	
52	502.2121.B	REG ASSY POWER DOOR WINDOW LH	1	
53	503.0100.C	FASTENERS DOOR GLASS REGULATOR MECH	2	
54	503.5071.A	ROD LOCK BARREL LH	1	
55	526.0002.J	DOOR ASSEMBLY RH	1	
56	560.0032.G	DOOR PANEL OUTER, RH		
	- 08	DOOR PANEL OUTER, RH BLACK	1	
	- 09	DOOR PANEL OUTER, RH RED	1	
	- 10	DOOR PANEL OUTER, RH BLUE	1	
57	503.4012.A	DOOR HINGE RH	2	
58	504.0052.E	SEAL GLASS RUN, DOOR RH	1	
59	526.0052.G	GLASS HOLDER FRAME ASSEMBLY RH	1	
60	526.0062.F	WAIST RAIL OUTER RH	1	
61	568.0032.F	FRONT CAP-WAISTRAIL, RH	1	
62	568.0042.C	WAISTRAIL CAP, REAR RH	1	
63	503.5002.A	CENTRAL LOCK SYSTEM ASSY , RH	1	
64	503.5004.B	MAN LATCH SYSTEM ASSY, RH	1	



Click inside frame to activate 3D-view

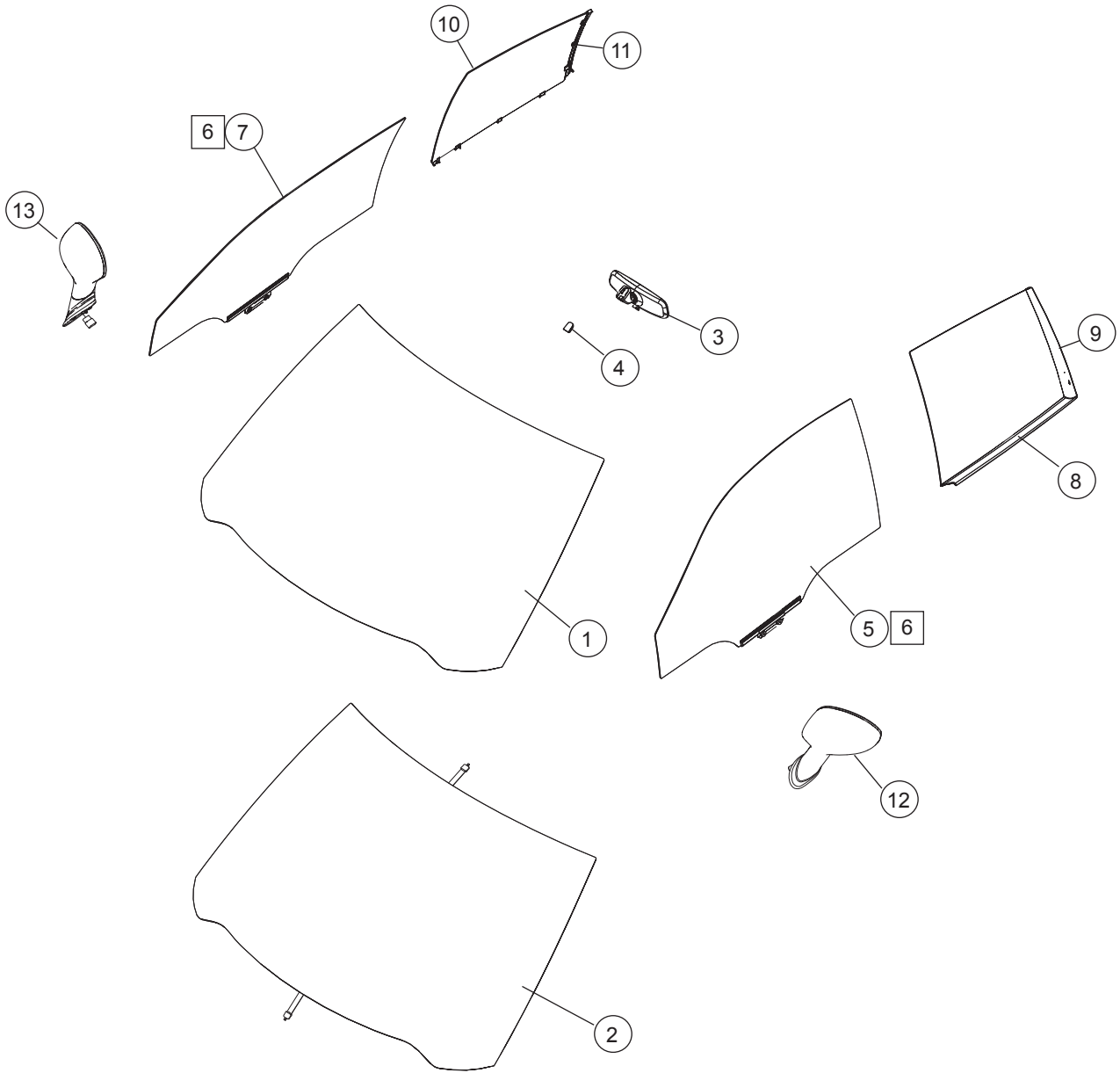
Pos	Part no.	Description	Qty/Assy	Remarks
65	503.5062.E	BRKT OUTSIDE HANDLE, DOOR, RH	1	
66	503.5130.B	BEZEL OUTSIDE HANDLE W/O LOCK CYL.	1	
67	503.5092.A	HANDLE PLATE RH W/O LOCK CYL.	1	
68	570.4200.F	ASSY - DOOR PANEL TRIM, RH	1	
69	570.4095.B	FASTENERS - DOOR POCKET FRAME LH/RH	1	
70	503.7002.B	WATER SHEDDER RH	1	
71	503.5022.A	DOOR INSIDE HANDLE RH	1	
72	503.5012.A	BEZEL DOOR INSIDE HANDLE RH	1	
73	526.0102.E	BRKT INSIDE HANDLE RH	1	
74	502.2122.B	REG ASSY POWER DOOR WINDOW RH	1	
75	503.5072.A	ROD LOCK BARREL RH	1	



Click inside frame to activate 3D-view



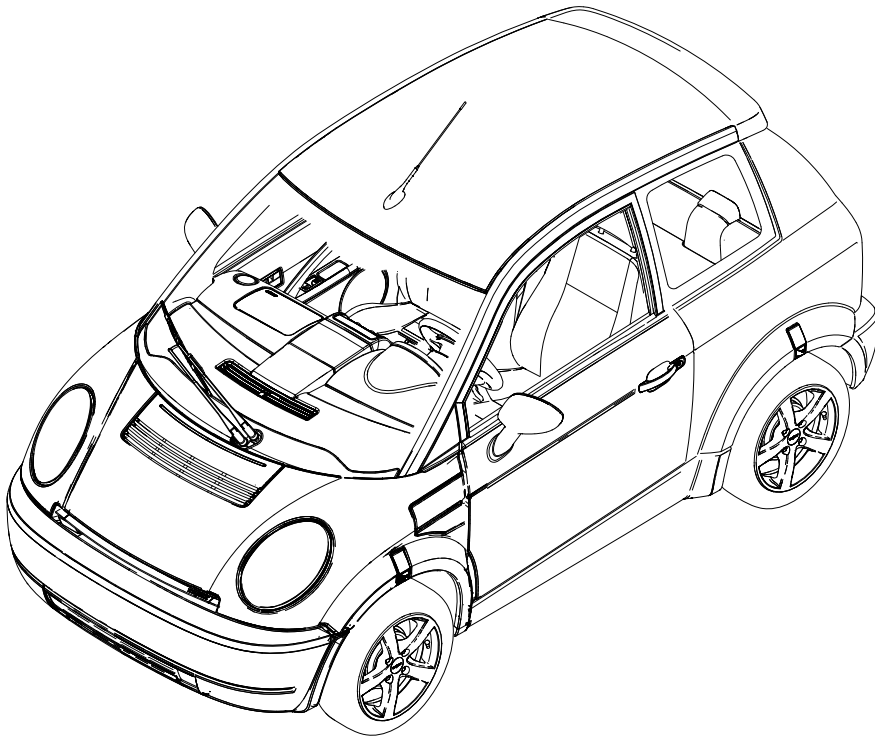
Pos	Part no.	Description	Qty/Assy	Remarks
76	566.1100.B	ASSY LIFTGATE	1	
77	566.8050.G	FASTENERS GAS STRUT BRKT LWR	1	
78	566.8060.G	FASTENERS STRIKER MOULDING	1	
79	563.0050.A	LIFTGATE STRIKER	1	
80	566.8070.B	FASTENERS LIFGATE STRIKER	1	
81	566.8080.C	FASTENERS LIFGATE	1	
82	566.1000.C	ASSY UPPER SPOILER	1	
83	566.8030.C	FASTENERS UPR SPOILER	1	
84	566.0030.B	GAS STRUT	2	
85	566.8090.B	FASTENERS GAS STRUT	1	
86	566.3000.B	SEAL GAS STRUT FIXING	2	
87	566.0040.C	LIFTGATE HINGE	2	
88	566.8020.C	FASTENERS LIFTGATE HINGE	1	
89	566.0221.C	LIFTGATE HINGE MNTG, LH	1	
90	566.0222.C	LIFTGATE HINGE MNTG, RH	1	
91	566.8010.B	FASTENERS LIFTGATE HINGE BRKT	1	
92	563.0240.F	BRKT LIFTGATE LATCH	1	
93	563.8030.C	FASTENERS LIFTGATE LATCH BRKT	1	
94	563.0060.B	LIFTGATE LATCH	1	
95	563.8010.B	FASTENERS LIFTGATE LATCH	1	
96	563.0070.A	LIFTGATE LATCH ROD	1	
97	563.0080.A	LIFTGATE LATCH ACTUATOR	1	
98	563.8040.B	FASTENERS LIFTGATE LATCH ACTUATOR	1	
99	563.0090.A	SWITCH LIFTGATE SENSOR	1	
100	563.0230.A	MOUNTING STAPLE SWITCH	1	
101	566.0090.D	LIFTGATE SEAL	1	



Click inside frame to activate 3D-view

Pos	Part no.	Description	Qty/Assy	Remarks
1	561.0010.D	WINDSCREEN	1	
3	570.1021.B	INTERIOR MIRROR	1	
4	570.1022.A	INTERIOR MIRROR BRACKET	1	
5	502.0001.E	DOOR GLASS ASSY, LH	1	
6	503.0170.C	FASTENERS DOOR GLASS	2	
7	502.0002.E	DOOR GLASS ASSY, RH	1	
8	561.0031.C	QUARTERGLASS, LH	1	
9	568.0051.E	QUARTERLIGHT FINISHER LH	1	
10	561.0032.C	QUARTERGLASS, RH	1	
11	568.0052.E	QUARTERLIGHT FINISHER RH	1	
12	564.1021.E	OUTSIDE MIRROR ASSY, LH (FED)	1	
13	564.1012.E	OUTSIDE MIRROR ASSY, RH (FED)	1	

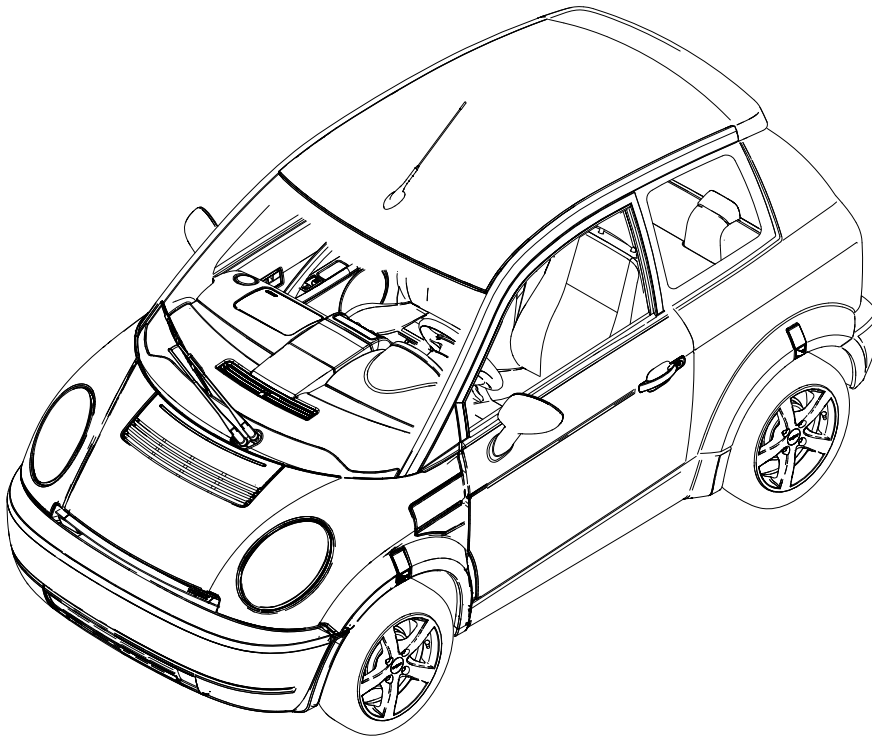
## ***A05 Exterior Trim***



***To be added later***

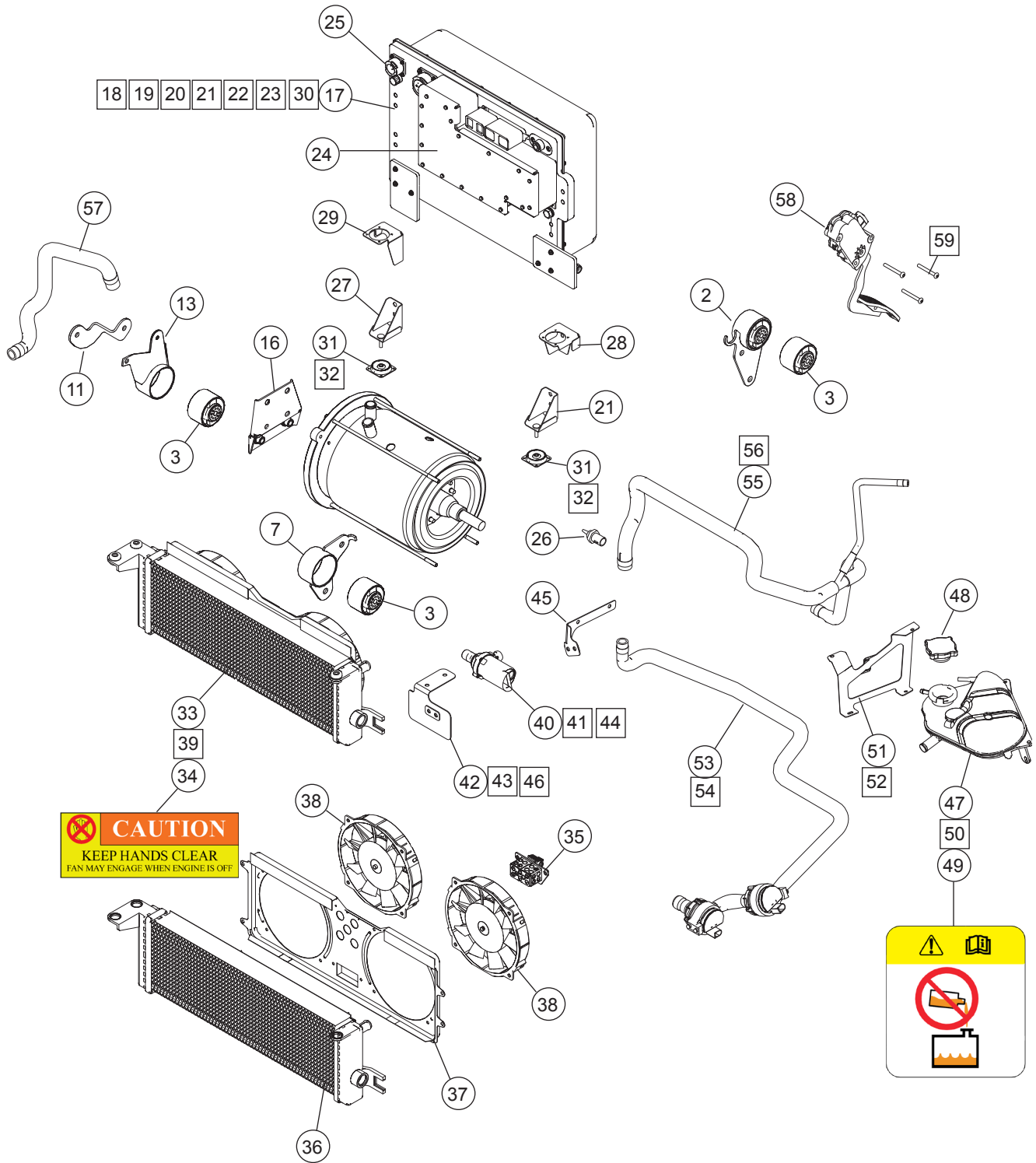
BACK TO INTRODUCTION

## ***A05 Exterior Trim***



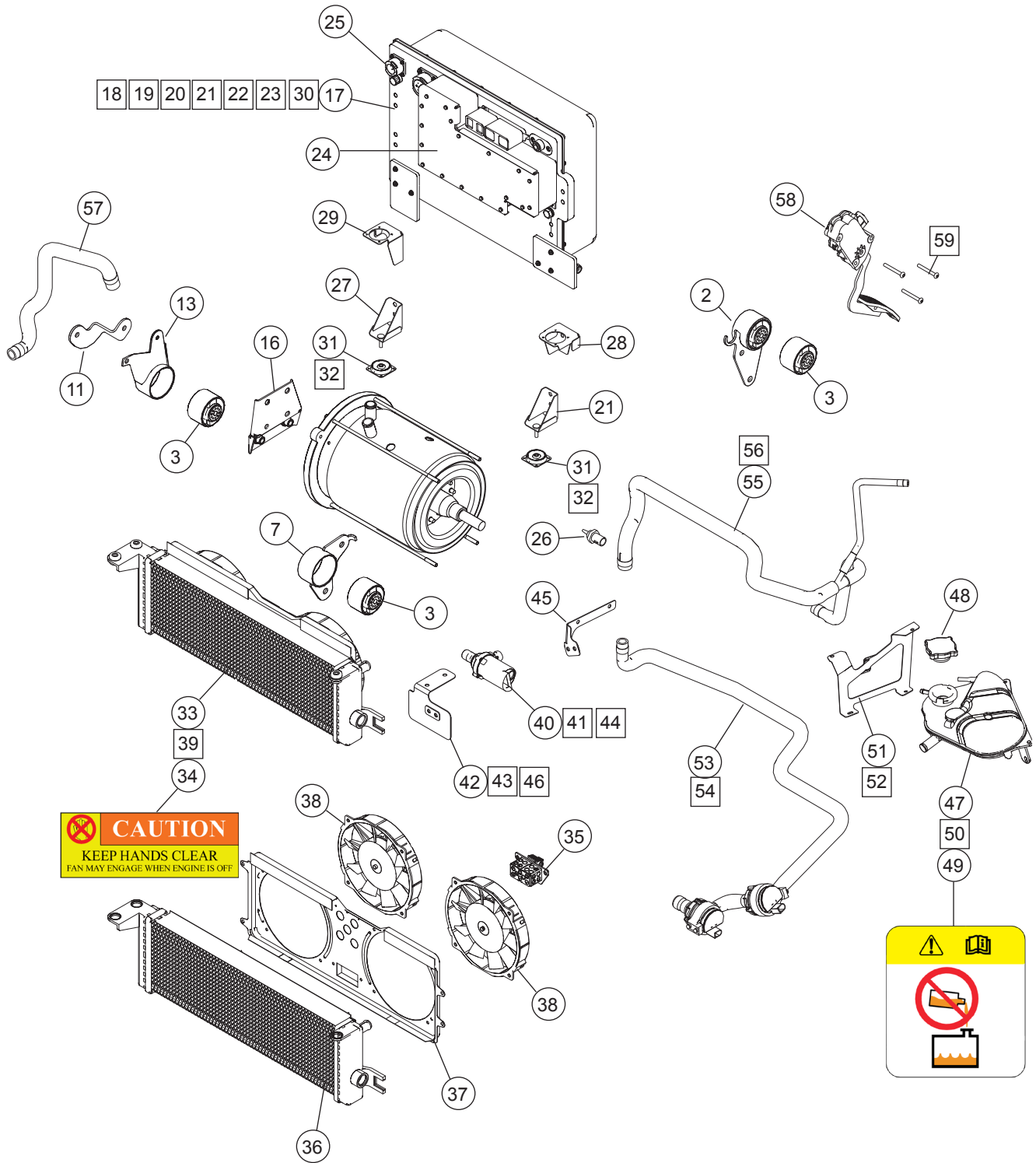
***To be added later***

BACK TO INTRODUCTION



Click inside frame to activate 3D-view

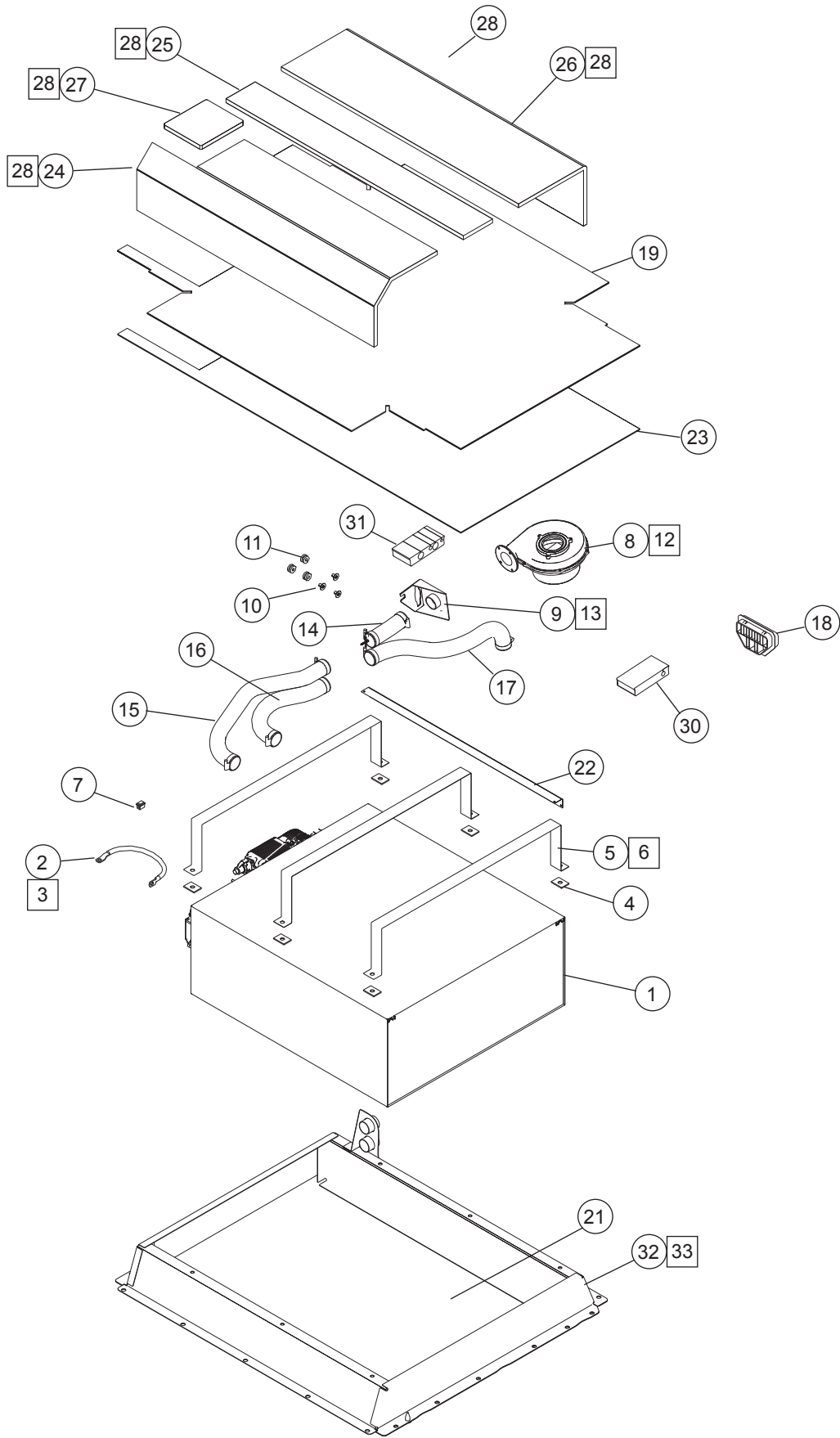
Pos	Part no.	Description	Qty/Assy	Remarks
1	590.1040.D	MOTOR - GEN 2	1	
2	528.0200.E	BRKT ASSY REAR MOTOR MOUNT	1	
3	528.6060.B	RUBBER MOTOR MOUNT	1	
4	520.1900.C	FASTENERS RR MOTOR MOUNT TO TRANNY	1	
5	520.2000.C	FASTENERS RR MOTOR MOUNT TO LF	1	
6	520.2800.B	FASTENERS REAR M. MNT ADPTR TO MOTOR	1	
7	528.0300.F	BRKT ASSY FRONT MOTOR MNT	1	
8	528.6060.D	RUBBER MOTOR MOUNT	1	
9	520.1500.B	FASTENERS FRT MOTOR MOUNT TO TRANNY	1	
10	520.1600.C	FASTENERS FRT MOTOR MOUNT TO LF	1	
11	528.0430.C	BRKT OFFSET MOTOR MOUNT HANGER	1	
12	520.1700.B	FASTENERS SIDE MOTOR MOUNT TO MOTOR	1	
13	528.0400.E	BRKT SIDE MOTOR MOUNT FRAME ASSY	1	
14	528.6060.D	RUBBER MOTOR MOUNT	1	
15	520.1800.B	FASTENERS SIDE MOTOR MOUNT TO LF	1	
16	528.0420.C	BRKT SIDE MOTOR MOUNT ADAPTER	1	
17	590.2050.C	POWER CONTROL UNIT - GEN 2	1	
17.A	590.2051.C	RE-MANUFACTURED GEN 2 PCU	1	
17.B	590.2053.C	HIGH VOLTAGE BOARD	1	
18	590.2010.B	FASTENERS PCU	1	
19	590.2011.A	PCU BOLT PACKET A	1	
20	590.2012.A	PCU BOLT PACKET B	1	
21	590.2013.A	PCU BOLT PACKET C	1	
22	590.2014.A	PCU BOLT PACKET D	1	
23	590.2015.A	PCU BOLT PACKET E	1	
24	522.0300.A	PCU COVER PLATE	1	
26	543.1050.A	SENSORASSY ENGINE TEMP SENSOR	1	
27	529.6100.E	PCU MOUNTING BRACKET	1	
28	529.6401.F	PCU MOUNTING BRACKET UPPER LHS	1	
29	529.6402.D	PCU MOUNTING BRACKET UPPER RHS	1	
30	520.2500.B	FASTENERS PCU MNTG BRKT TO PCU	1	
31	529.6500.H	PCU ISOLATOR RUBBER	4	
32	520.2600.C	FASTENERS PCU ISOLATORS	1	
33	550.1020.D	RADIATOR & FAN ASSY	1	
34	550.9020.A	LBL - FAN WARNING	1	
35	550.1070.C	BRACKET COOLING PUMP	1	



Click inside frame to activate 3D-view

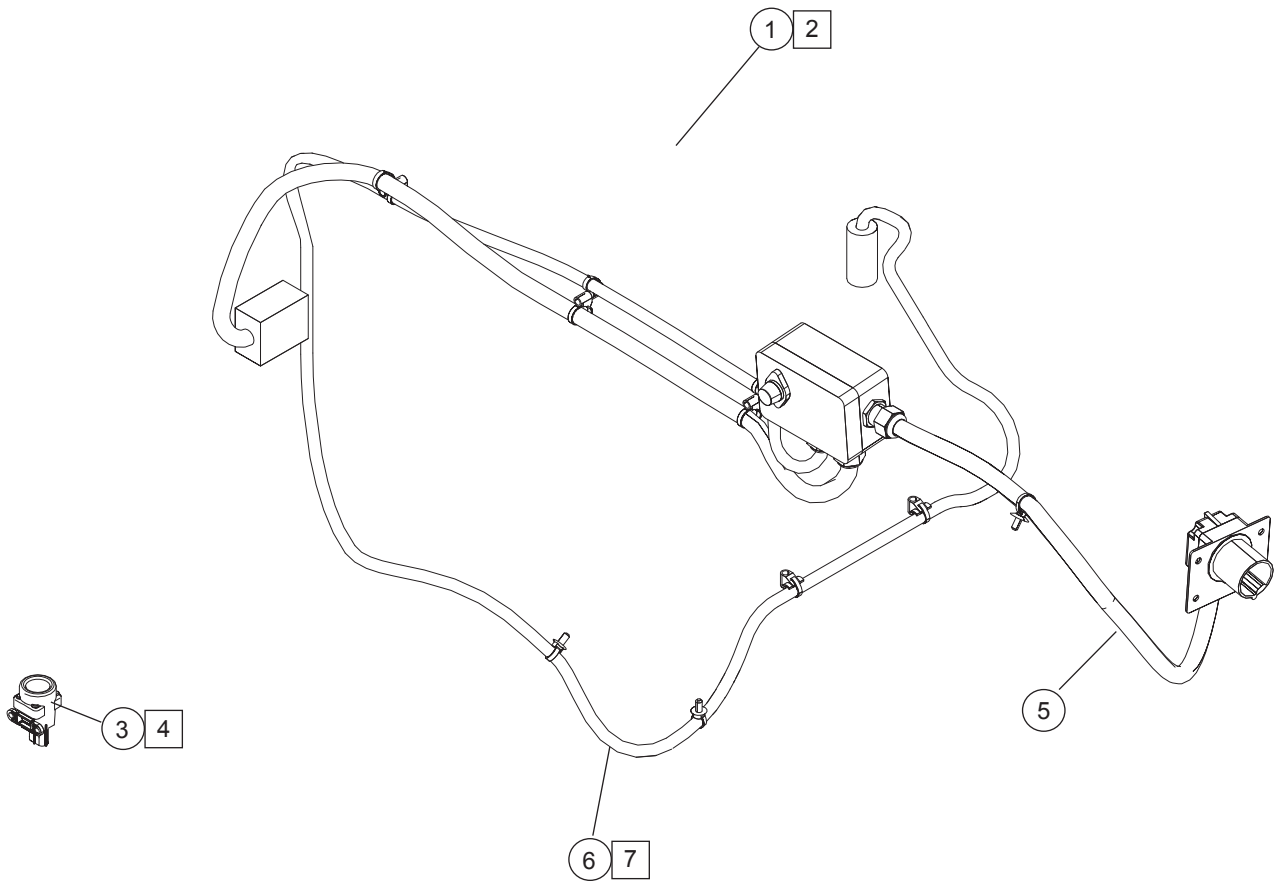


Pos	Part no.	Description	Qty/Assy	Remarks
37	550.1080.A	RADIATOR FAN SHROUD	1	
38	550.1090.A	COOLING FAN	2	
39	550.8020.B	FASTENER - RAD & FAN ASSY	1	
40	550.1010.D	COOLING PUMP	2	
41	550.8080.A	FASTENER - COOLING PUMP	1	
42	550.1160.B	BRKT-COOLING PUMP	1	
43	550.8030.B	FASTENER - BRKT COOLING PUMP	1	
44	550.8090.A	FASTENER - COOLING PUMP 2	1	
45	550.1170.B	BRKT-COOLING PUMP 2	1	
46	550.8070.A	FASTENER - BRKT COOLING PUMP 2	1	
47	550.1040.B	COOLANT RESERVOIR	1	
48	550.1150.A	COOLANT RESERVOIR CAP	1	
49	550.9030.A	LBL - RAD FILL CAP	1	
50	550.8010.E	FASTENER - COOLANT RESERVOIR	1	
51	550.1140.G	BRKT COOLANT RESERVOIR REAR	1	
52	550.8040.C	FASTENER - BRKT COOLANT RESERVOIR REAR	1	
53	550.2010.E	HOSE RADIATOR TO PCU	1	
54	550.8060.A	FASTENER - HOSE RADIATOR TO PCU	1	
55	550.2030.G	HOSE PCU TO MOTOR	1	
56	550.8050.B	FASTENER - HOSE PCU TO MOTOR	1	
57	550.2040.F	HOSE MOTOR TO RADIATOR	1	
58	535.1010.C	ACCELERATOR PEDAL	1	
59	535.1020.D	FASTENERS-ACCELERATOR PEDAL	1	



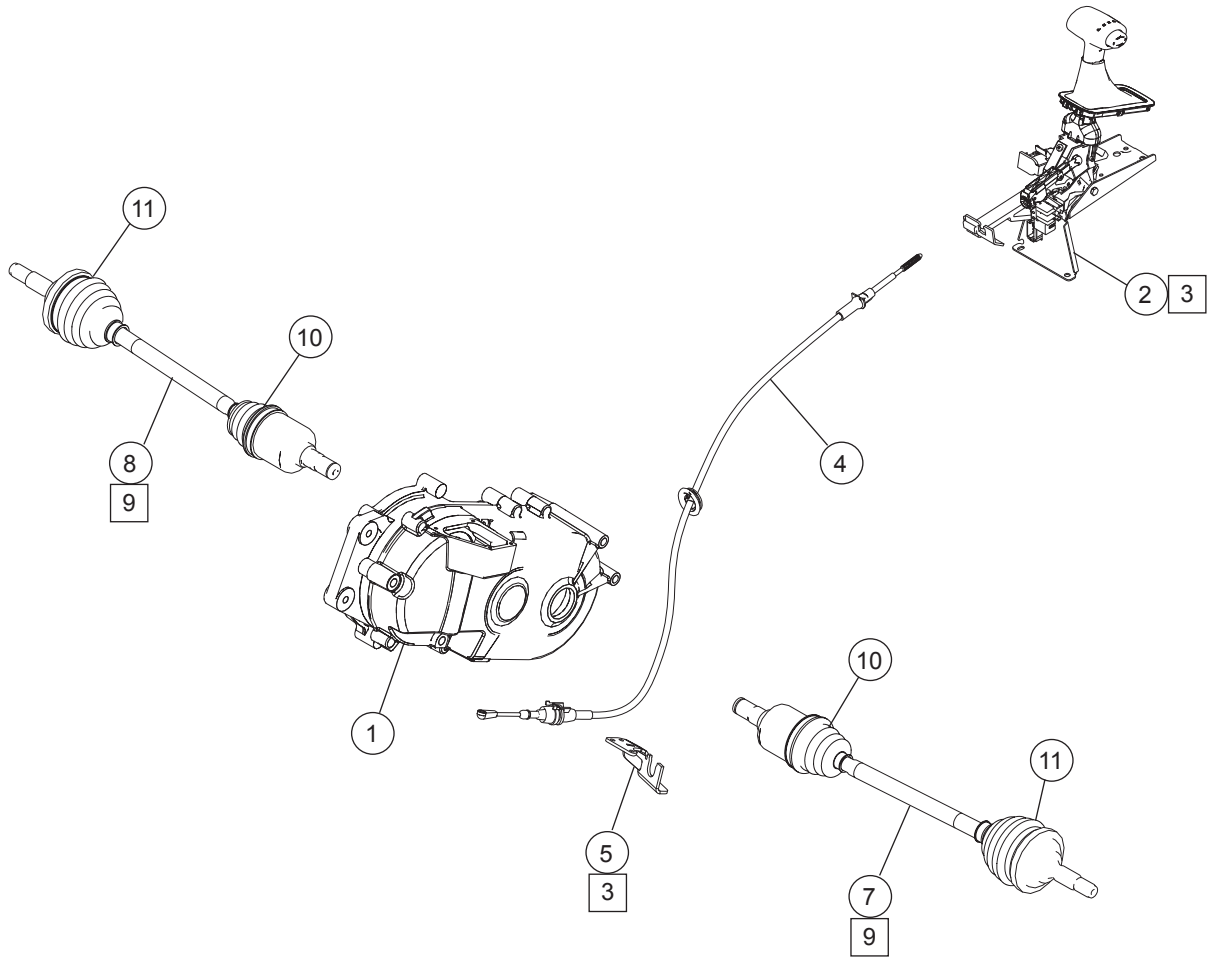
Click inside frame to activate 3D-view

Pos	Part no.	Description	Qty/Assy	Remarks
1	515.1710.B	TRAC BATT Z57-253-ML3P-76	1	
2	541.2030.B	CABLE TRACTION BATTERY TO GND	1	
3	543.2025.A	FASTENER CBL TRACTION BATT TO GND	1	
4	524.3010.A	BATTERY RETENTION WASHER	6	
5	524.3020.C	BATTERY RETENTION STRAP LONG	3	
6	520.2300.C	FASTENERS TRACKTION BATTERY RETENTION	1	
7	570.3014.A	SWITCH - TRACTION BATTERY RESET	1	
8	514.0100.B	TRACTION BATTERY COOLING FAN	1	
9	514.0400.C	BRKT, TRACTION BATTERY COOLING FAN	1	
10	514.0433.A	SILENCER BRASS PART	3	
11	514.0434.A	SILENCER RUBBER PART	3	
12	514.0410.C	FASTENER ASSY, COOLING FAN TO BRKT	1	
13	514.0420.E	FASTENER ASSY, FAN BRKT TO LOWER FRAME	1	
14	514.0210.C	ASSY HOSE, TRAC BATT INTAKE TO FAN	1	
15	514.0220.B	ASSY HOSE, TRAC BATT INTAKE TO BATT	1	
16	514.0230.B	ASSY HOSE, TRAC BATT EXHAUST TO BATT	1	
17	514.0240.B	ASSY HOSE, TRAC BATT EXHAUST TO FRAME	1	
18	551.3010.A	AIR EXTRACTOR	1	
19	514.0500.E	SAFETY THERMAL SHEET TRACTION BATTERY	1	
20	514.0511.B	SAFETY THERMAL SHEET GLASS FABRIC	1	
21	514.0515.D	ASSY- BATTERY CASING INSULATION	1	
22	514.0440.A	PROTECTION ANGLE FOR BATTERY STRAPS	1	
23	514.0510.C	TOP THERMAL SHEET TRACTION BATTERY	1	
24	514.0520.C	BELOW SEAT DECK INSULATION FRONT	1	
25	514.0530.C	BELOW SEAT DECK INSULATION MIDDLE	1	
26	514.0540.C	BELOW SEAT DECK INSULATION REAR	1	
27	514.0550.C	BELOW INSPECTION HATCH INSULATION	1	
28	514.0610.A	FASTENER INSULATION MAT CLIP	1	
29	514.0620.B	FASTENER TAPE UNDER SEAT DECK	1	
30	552.2010.A	SEAL SEAT DECK LH	1	
31	552.2020.A	SEAL SEAT DECK RH	1	
32	524.0001.K	BATTERY TRAY GENERAL Z36	1	
33	520.1000.B	FASTENERS BATTERY TRAY TO LF	1	



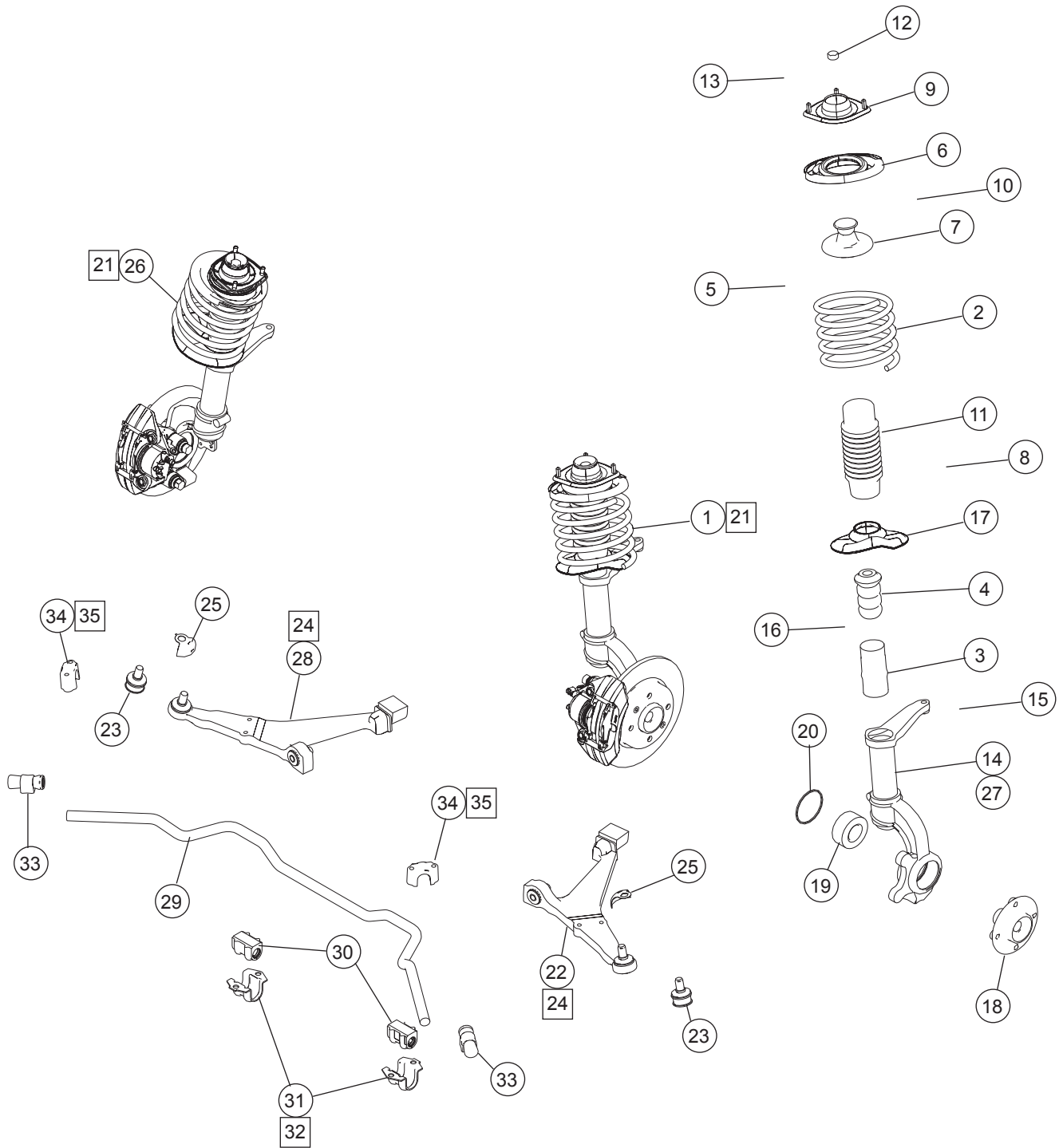
Click inside frame to activate 3D-view

Pos	Part no.	Description	Qty/Assy	Remarks
1	542.2030.B	CABLE TRACTION FEED TO PCU - LI-ION	1	Not illustrated
2	542.2025.A	FASTENER CBL TRACTION FEED TO PCU	1	
3	543.1160.B	SWITCH - INERTIA	1	
4	543.1220.A	FASTENER SWITCH INERTIA	1	
5	542.1080.F	MAINS DISTR. INLET (YAZAKI)	1	
6	542.1095.A	FASTENER MAINS DISTR. INLET ASSY	1	



Click inside frame to activate 3D-view

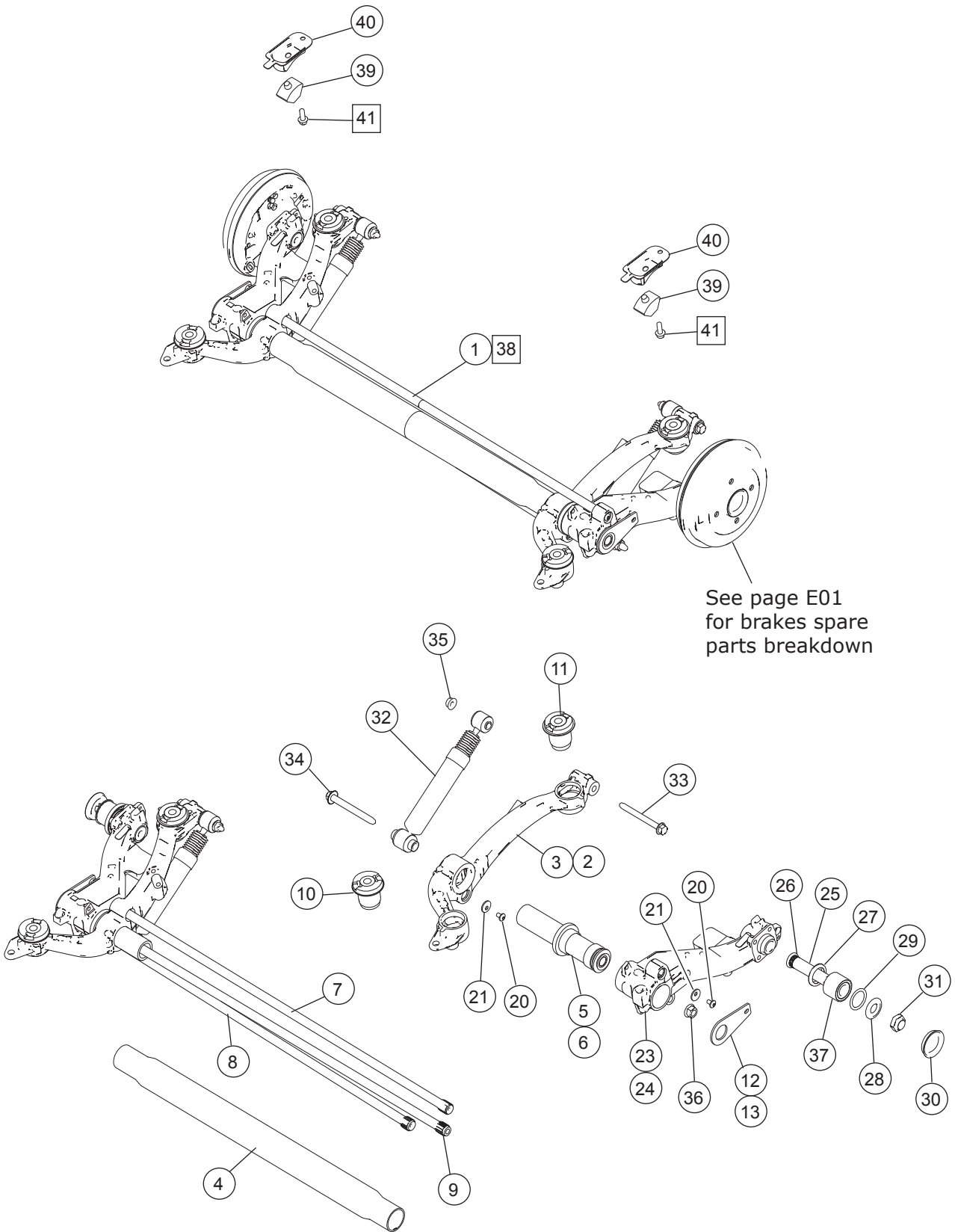
Pos	Part no.	Description	Qty/Assy	Remarks
1	590.1010.G	TRANSAXLE	1	
2	539.1010.K	ASSY-GEARSHIFTCONTROL	1	
3	539.1080.D	FASTENERS-GEARSHIFT CONTROL	1	
4	539.1020.E	CABLE,GEARSHIFT CONTROL	1	
5	539.1030.E	BRKT-GEARSHIFT CONTROL CABLE	1	
6	539.1040.D	FASTENERS-GEARSHIFT CABLE BRACKET	1	
7	533.1021.I	DRIVESHAFT, ABS, LH	1	
8	533.1022.I	DRIVESHAFT, ABS, RH	1	
9	533.1030.E	FASTENERS-DRIVESHAFT	2	



Click inside frame to activate 3D-view

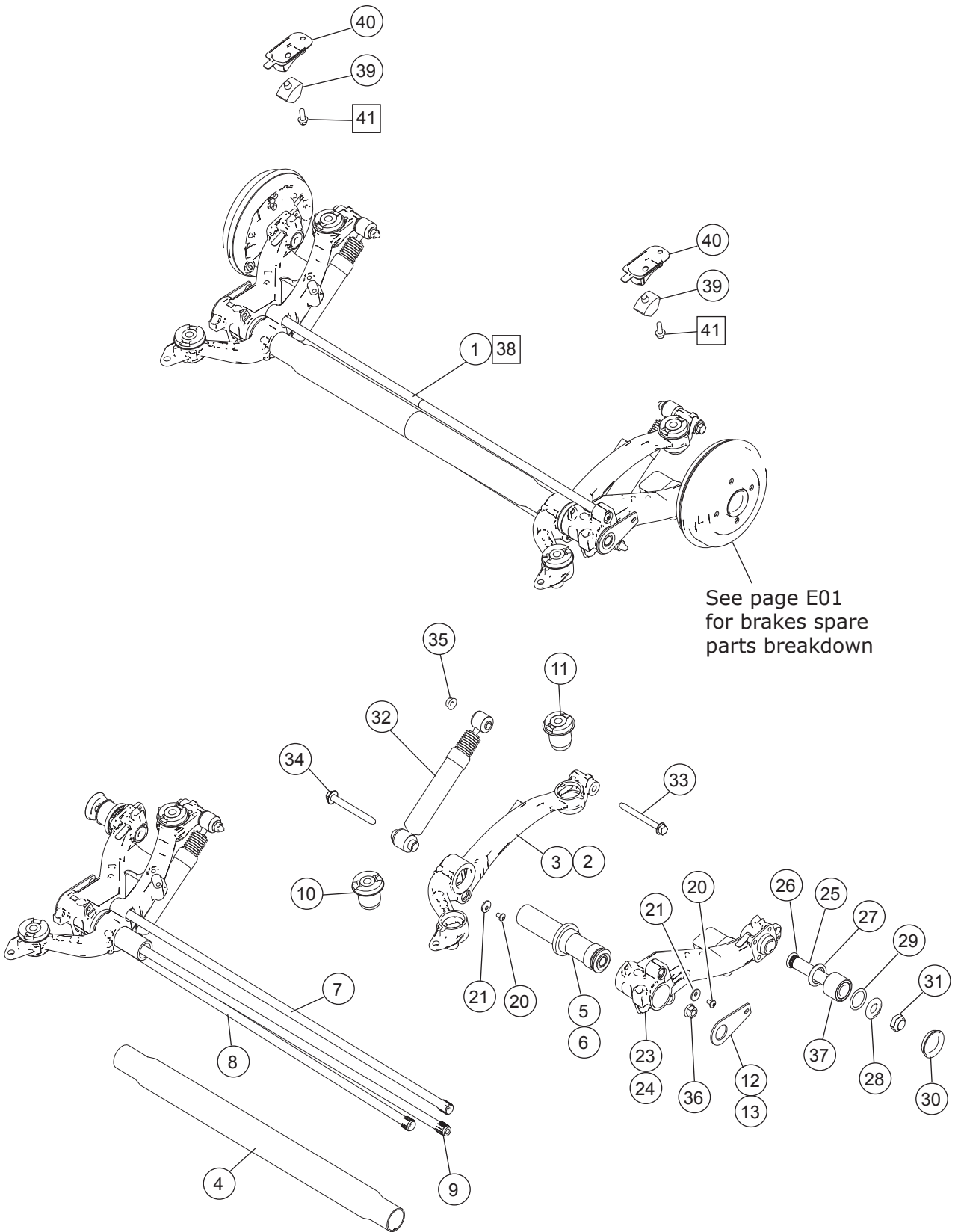


Pos	Part no.	Description	Qty/Assy	Remarks
1	530.1011.G	ASSY-STRUT, MANUAL & ABS, LH	1	
2	53S.0010.A	FRONT COIL SPRING	2	
3	53S.0020.A	BUMP SPACER t=20	2	
4	53S.0030.A	FRONT BUMP STOP l=66	2	
5	53S.0040.A	SHOCK ABSORBER	2	Not illustrated
6	53S.0050.A	REST CUP (SPRING PLATE UPR)	2	
7	53S.0060.A	THRUST BEARING	2	
8	53S.0070.A	CONTROL CUP (LOWER)	2	Not illustrated
9	53S.0080.A	SHOCK ABSORBER BRACKET UPPER	2	
10	53S.0090.A	CONTROL CUP (UPPER)	2	Not illustrated
11	53S.0100.A	SHOCK ABSORBER BELLOWS	2	
12	53S.0110.A	NUT M12X1.25-11.2. SHOCK ABSORBER	2	
13	53S.0120.A	CUP NUT SHOCK ABSORBER RETENTION	2	Not illustrated
14	53S.0131.A	SUSPENSION PIVOT ABS LH	1	
15	53S.0140.A	STEERING ARM MANUAL	2	
16	53S.0150.A	DAMPER HOUSING	2	Not illustrated
17	53S.0160.A	REST CUP (SPRING PLATE LWR)	2	
18	53S.0170.A	WHEEL HUB	2	
19	53S.0180.A	WHEEL BEARING	2	
20	53S.0190.A	STOP RING 72X76.5 t=2.5	2	
21	530.1040.B	FASTENERS-STRUT	2	
22	530.1031.B	ASSY-LOWER CONTROL ARM,LH	1	
23	53S.0260.A	BALL JOINT	2	
24	530.1080.B	FASTENERS-CONTROL ARM	2	
25	530.1140.B	PROTECTOR	1	
26	530.1012.G	ASSY-STRUT, MANUAL & ABS, RH	1	
27	53S.0132.A	SUSPENSION PIVOT ABS RH	1	
28	530.1032.B	ASSY-LOWER CONTROL ARM,RH	1	
29	530.3010.D	STABILIZER BAR, FRONT SUSPENSION Ø21	1	
30	530.3030.C	INNER BUSH,FRONT STAB BAR Ø21	2	
31	530.3040.B	INNER BRACKET,FRONT STAB BAR	2	
32	530.3020.E	FASTENERS-FRONT STAB BAR INNER	1	
33	530.3070.C	OUTER BUSH,FRONT STAB BAR Ø21	2	
34	530.3080.B	OUTER BRACKET,FRONT STAB BAR	2	
35	530.3060.C	FASTENERS-FRONT STAB BAR OUTER	1	



Click inside frame to activate 3D-view

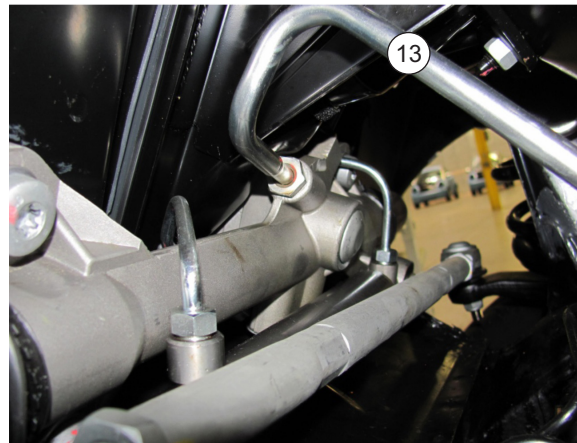
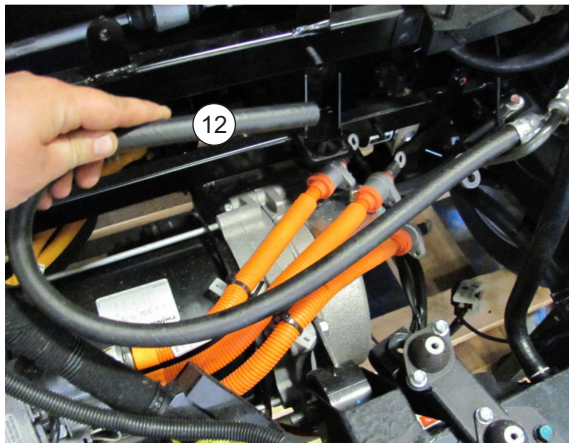
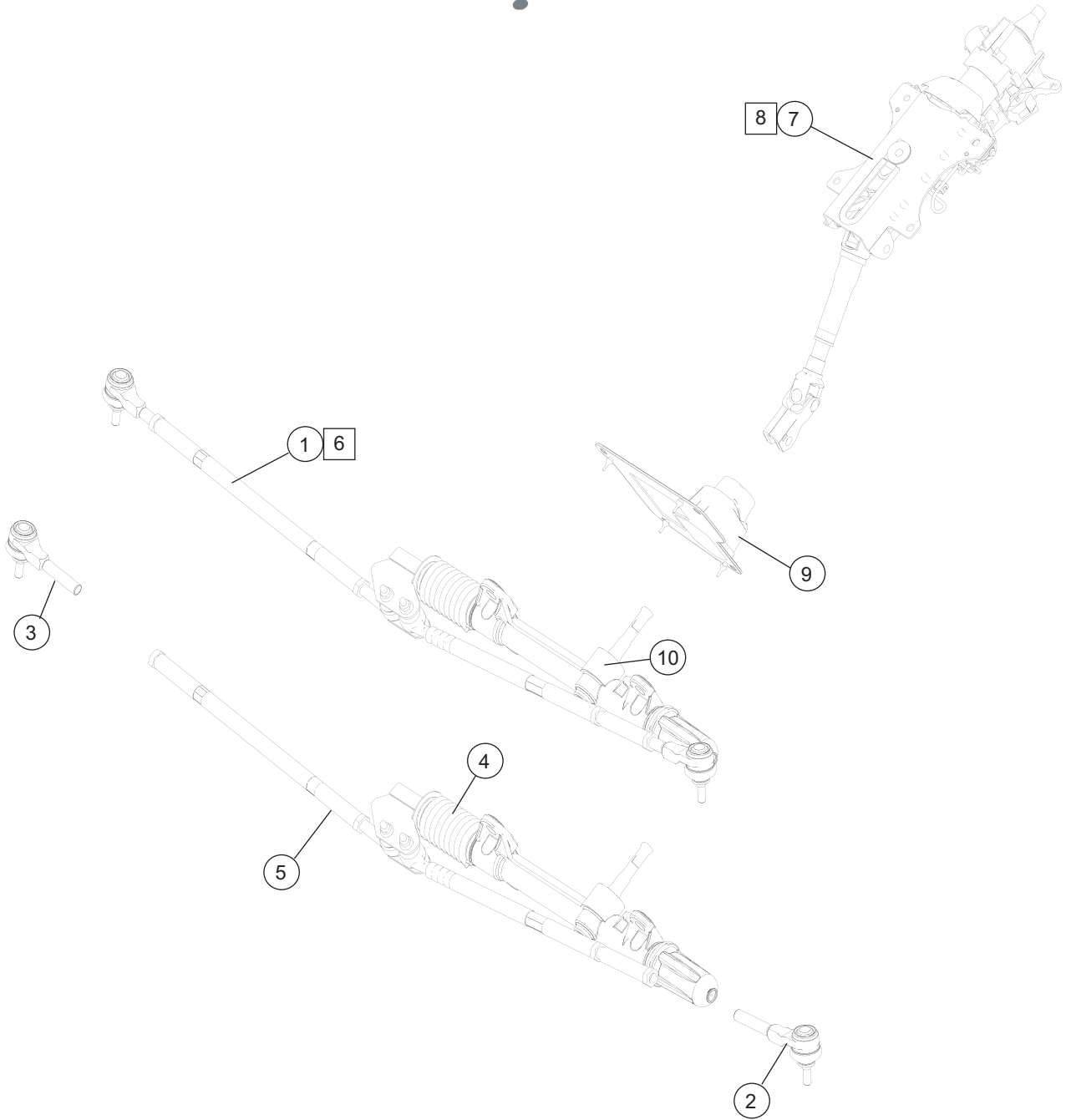
Pos	Part no.	Description	Qty/Assy	Remarks
1	531.1010.G	ASSY-REAR SUSPENSION	1	
2	53S.0271.A	SUPPORT RH CROSSMEMBER AXLE RR	1	
3	53S.0272.A	SUPPORT LH CROSSMEMBER AXLE RR	1	
4	53S.0280.A	BODY CROSSMEMBER AXLE RR	1	
5	53S.0291.A	END PIECE LH CROSSMEMBER RR AXLE RR	1	
6	53S.0292.A	END PIECE RH CROSSMEMBER RR AXLE RR	1	
7	53S.0301.A	TORSION BAR RR LH Ø19	1	
8	53S.0302.A	TORSION BAR RR RH Ø19	1	
9	53S.0310.A	STABILIZER BAR RR Ø18	1	
10	53S.0320.A	FLEXIBLE MOUNTING FRT CROSSMEMBER RR	2	
11	53S.0330.A	FLEXIBLE MOUNTING RR CROSSMEMBER RR	2	
12	53S.0341.A	LEVER LH STABILIZER BAR RR ASSY	1	
13	53S.0342.A	LEVER RH STABILIZER BAR RR ASSY	1	
14	53S.0350.A	SEAL OUTER ARM SUSPENSION RR	2	
15	53S.0360.A	SEAL INNER ARM SUSPENSION RR	2	
16	53S.0371.A	DUST SEAL LH	1	
17	53S.0372.A	DUST SEAL RH	1	
18	53S.0380.A	SEAL TIGHTNESS LEVER BAR STABILIZER	2	
19	53S.0390.A	PLUG. ARM SUSPENSION Ø12 H12	1	
20	53S.0400.A	CAP SCREW M8X125 L14	4	
21	53S.0410.A	RETAINER. TORSION BAR RR	4	
22	53S.0420.A	BRAKE SCREW M8X125 L25	2	
23	53S.0431.A	ARM SUSPENSION LH	1	
24	53S.0432.A	ARM SUSPENSION RH	1	
25	53S.0440.A	SPINDLE RR	2	
26	53S.0450.A	HUB SEAL INNER Ø35	2	
27	53S.0460.A	SEALING CONNECTION. WHEEL BEARING	2	
28	53S.0470.A	PLAIN WASHER	2	
29	53S.0480.A	RETAINING RING	2	
30	53S.0490.A	PLUG	2	
31	53S.0500.A	HUB NUT M22X150-16.5-32	2	
32	53S.0510.A	SHOCK ABSORBER RR ASSY	2	
33	53S.0520.A	SCREW M12X175 L125 UPPER SHOCK ABSORB	2	
34	53S.0530.A	SCREW M14X150 L130 LOWER SHOCK ABSORB	2	
35	53S.0540.A	NUT M12X175 UPPER SHOCK ABSORBER	2	
36	53S.0550.A	NUT M14X150 LOWER SHOCK ABSORBER	2	



See page E01  
for brakes spare  
parts breakdown

Click inside frame to activate 3D-view

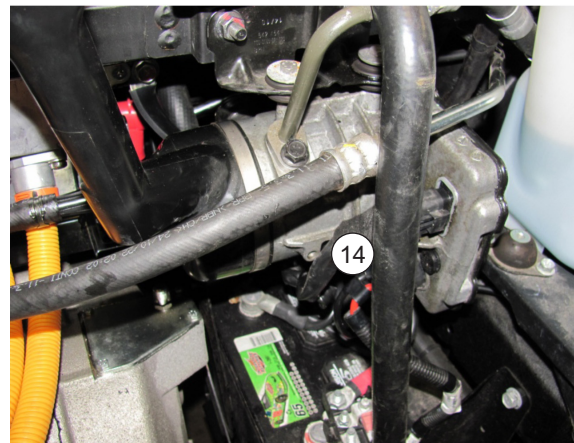
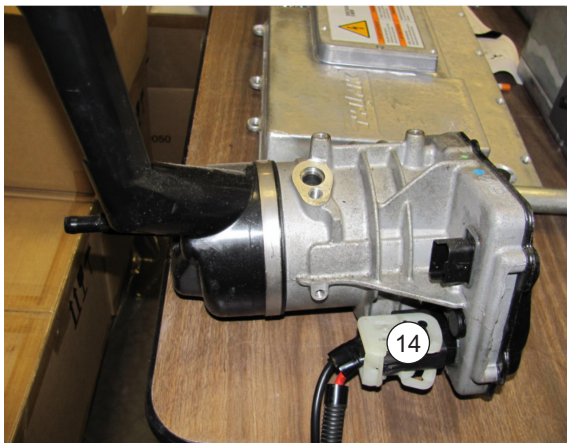
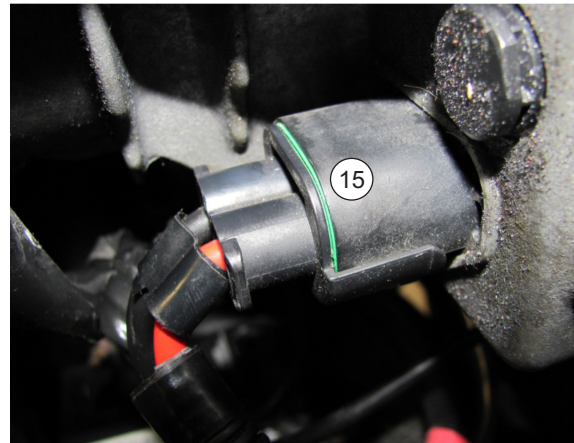
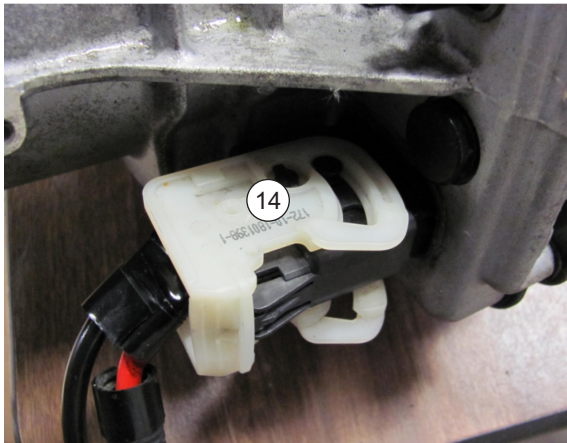
Pos	Part no.	Description	Qty/Assy	Remarks
37	53S.0600.A	WHEEL BEARING RR	2	
38	531.2010.H	FASTENERS-REAR SUSPENSION	1	
39	531.2070.B	BUMP STOP, REAR	2	
40	531.2080.A	BUMP STOP BRKT, REAR	2	
41	560.8210.A	FASTENERS BUMP STOP	1	

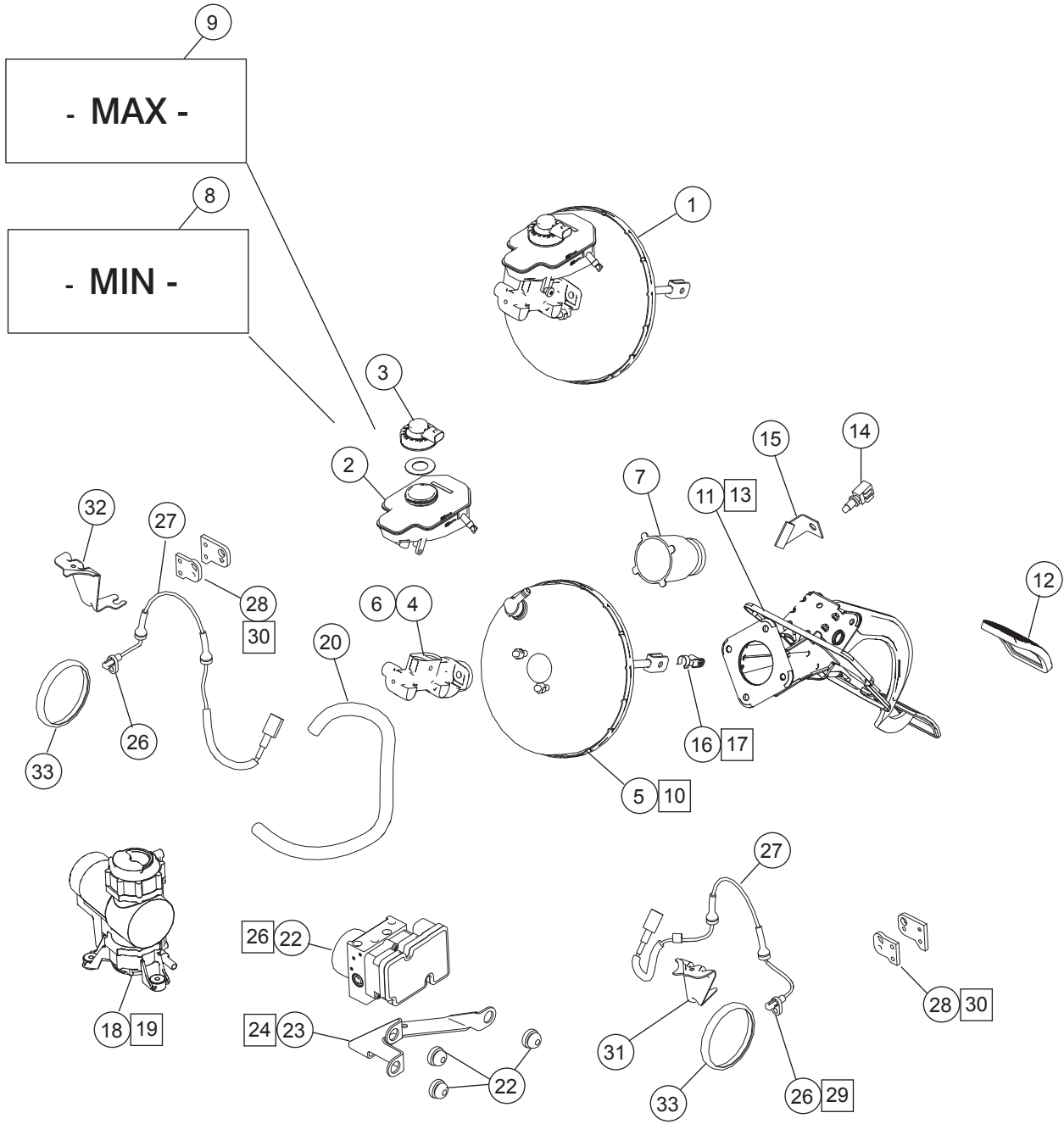


Click inside frame to activate 3D-view



Pos	Part no.	Description	Qty/Assy	Remarks
1	534.3020.F	ASSY-PWR STEERING COLUMN	1	
2	53S.0721.A	TRACK ROD END LH	1	
3	53S.0722.A	TRACK ROD END RH	1	
4	53S.0730.A	GAITOR MANUAL STEERING GEAR	1	
5	53S.0740.A	LINKAGE BRACKET WITH TRACK RODS	1	
6	534.1030.C	FASTENERS-STEERING GEAR	1	
7	534.3010.D	ASSY-MANUAL STEERING COLUMN	1	
8	534.3030.D	FASTENERS-STEERING COLUMN	1	
9	534.1100.A	SEAL-STEERING COLUMN/BULKHEAD - MANUAL	1	
10	534.2010.F	ASSY POWER STEERING GEAR	1	
11	534.2020.G	POWER STEERING PUMP POWER PACIL -PAS	1	
12	534.2040.E	POWER STEERING PIPE PAS FEED	1	
13	534.2050.D	POWER STEERING PIPE PAS RETURN	1	
14	534.2130.B	POWER STEERING PUMP AFTER VIN-080	1	
15	534.2130.A	POWER STEERING PUMP AFTER EARLY VEHICLES	1	

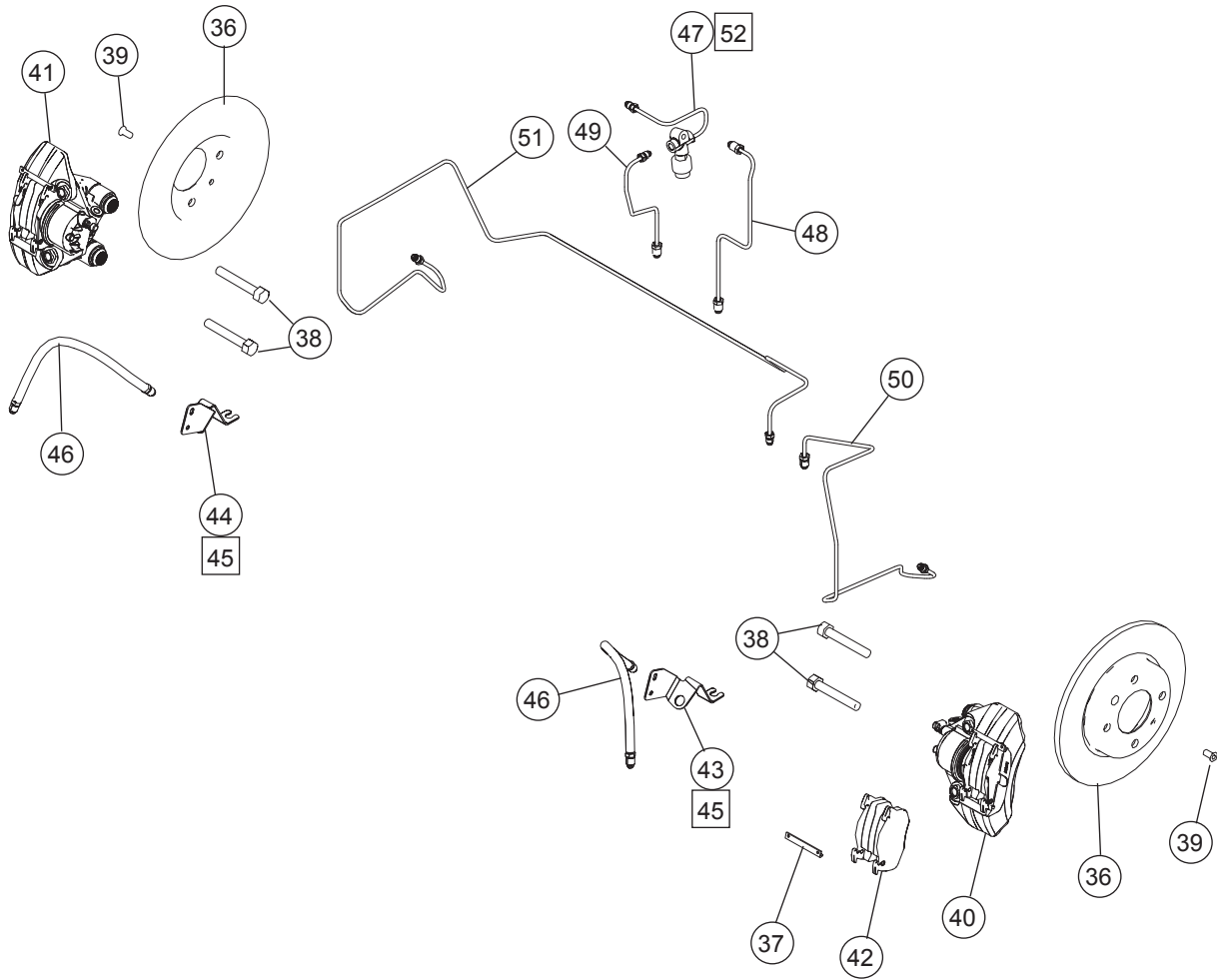




Click inside frame to activate 3D-view

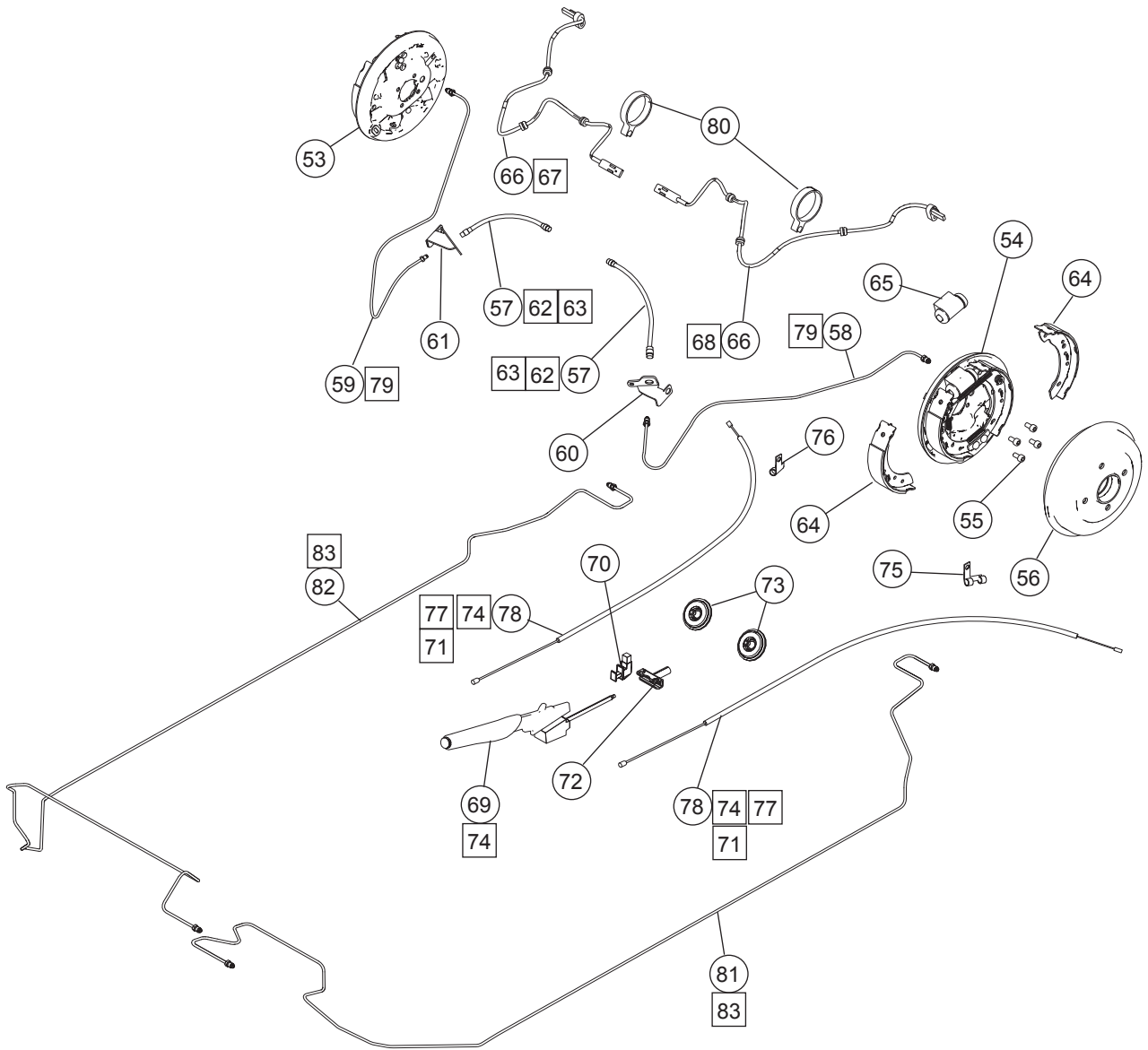


Pos	Part no.	Description	Qty/Assy	Remarks
1	537.2020.B	ASSY-MASTER CYLINDER AND SERVO,ABS	1	
2	53S.0750.A	RESERVOIR	1	
3	53S.0760.A	CAP RESERVOIR	1	
4	53S.0770.A	MASTER CYLINDER	1	
5	53S.0780.A	SERVO UNIT	1	
6	53S.0790.A	REPAIR KIT MASTER CYLINDER AND SERVO	1	
7	537.1100.C	SEAL-SERVO/BACKET	1	
8	537.2210.B	LABEL, MIN BRAKE RESERVOIR	1	
9	537.2220.B	LABEL, MAX BRAKE RESERVOIR	1	
10	537.2240.B	FASTENERS-MASTER CYL AND SERVO	1	
11	537.2030.C	ASSY-BRAKE PEDAL AND BRACKET	1	
12	53S.0800.A	PEDAL PAD	1	
13	537.2250.B	FASTENERS-BRAKE PEDAL AND BRACKETT	1	
14	537.2040.A	SWITCH,STOP LIGHTS	1	
15	537.2050.A	CLIP,RETAINING S/L SWITCH	1	
16	537.2070.B	PIN,QUICK FIT	1	
17	537.2230.A	FASTENERS-PIN, QUICK FIT	1	
18	537.3010.D	VACUUM PUMP MES 70-6E2 280-330	1	
19	537.3040.D	FASTENERS-VACUUM PUMP	1	
20	537.3020.D	HOSE-VACUUM, BRAKE SYSTEM Ø9.5X4	1	
21	537.4010.D	ABS CONTROL UNIT	1	
22	537.4020.A	DAMPERS,ABS BLOCK	3	
23	537.4040.E	BRACKET,ABS BLOCK	1	
24	537.4540.A	FASTENERS - BRKT ABS BLOCK	1	
25	537.4050.D	FASTENERS-ABS BLOCK	1	
26	533.1050.A	WHEEL, ABS ENCODER	2	
27	537.4210.C	WHEELSPEED SENSOR, ABS FRONT	2	
28	537.4270.D	BRKT - FRONT WHLSP SENSOR	2	
29	537.4550.A	FASTENERS - BRKT WSS FRONT	2	
30	537.4220.D	FASTENERS - FRONT ABS SENSORS	2	
31	537.4281.C	BRKT - FRONT WHLSP SENSOR CABLE LH	1	
32	537.4282.C	BRKT - FRONT WHLSP SENSOR CABLE RH	1	
33	53S.0590.A	WHEEL SPEED SENSOR RING	2	



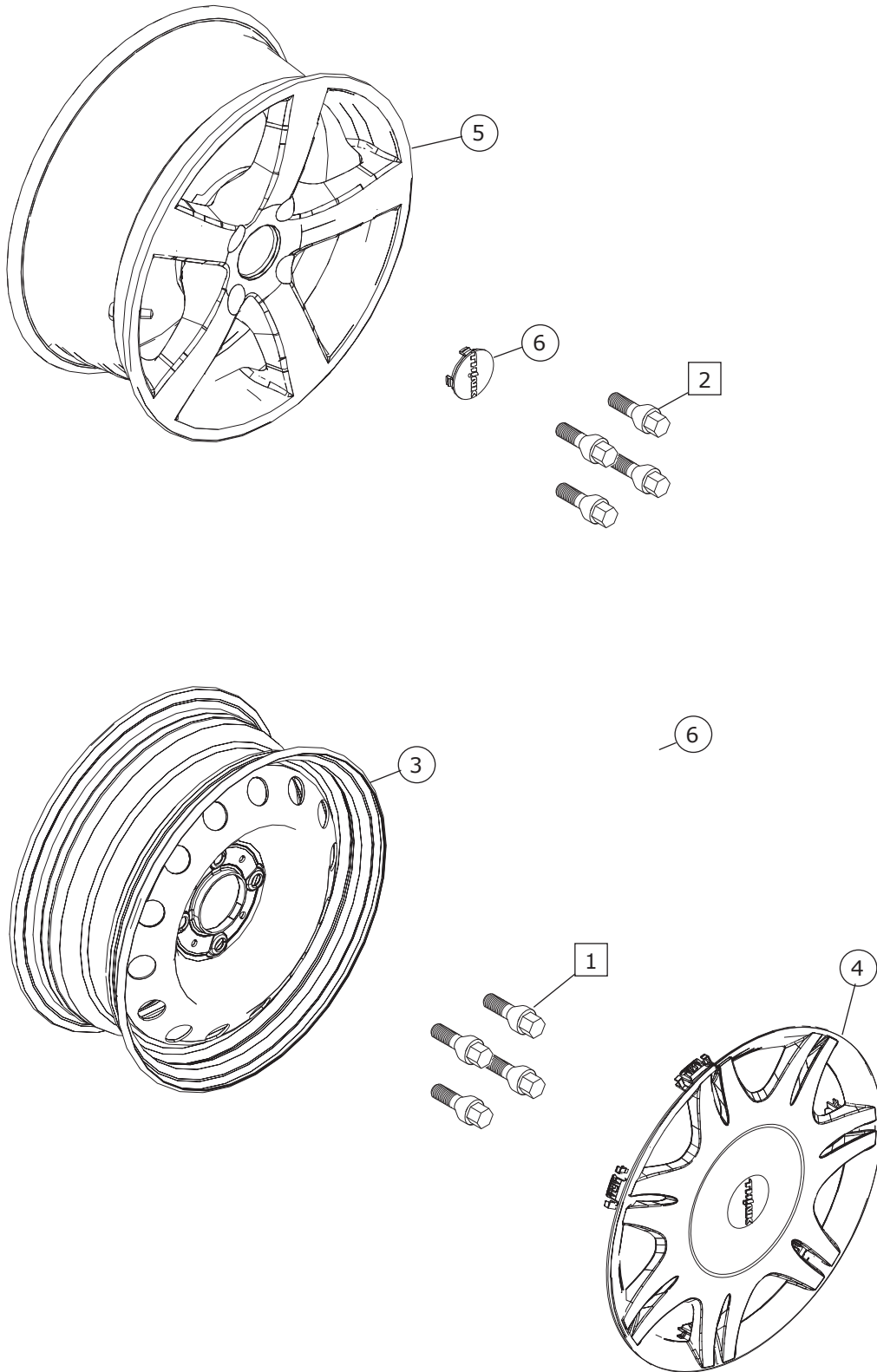
Click inside frame to activate 3D-view

Pos	Part no.	Description	Qty/Assy	Remarks
36	53S.0210.A	BRAKE DISC Ø247 t=10	2	
37	53S.0220.A	STOP PLATE	2	
38	53S.0230.A	SCREW M12X1.5-79. CALIPER	4	
39	53S.0240.A	SCREW M6X1.0-14. DISC	4	
40	53S.0201.A	BRAKE CALIPER ABS LH	1	
41	53S.0202.A	BRAKE CALIPER ABS RH	1	
42	53S.0211.A	BRAKE PADS	1	
43	537.2161.E	BRKT - FRONT BRAKE HOSE/PIPE,LH	1	
44	537.2162.E	BRKT - FRONT BRAKE HOSE/PIPE,RH	1	
45	537.2170.D	FASTENERS BRAKE HOSE/PIPE BRACKET	1	
46	537.2190.A	BRAKE HOSE,FRONT	2	
47	537.2570.A	BRAKE PIPE Ø4.75,MA CYL AND T-PIECE	1	
48	537.2600.E	BRAKE PIPE Ø4.75,PR SENS/ABS SECOND	1	
49	537.2610.C	BRAKE PIPE Ø4.75,MASTER CYL/ABS PRI	1	
50	537.2620.F	BRAKE PIPE Ø4.75,ABS/LH FR	1	
51	537.2630.E	BRAKE PIPE Ø4.75,ABS/RH FR	1	
52	537.2680.D	FASTENERS-BRAKE PRESSURE SENSOR	1	



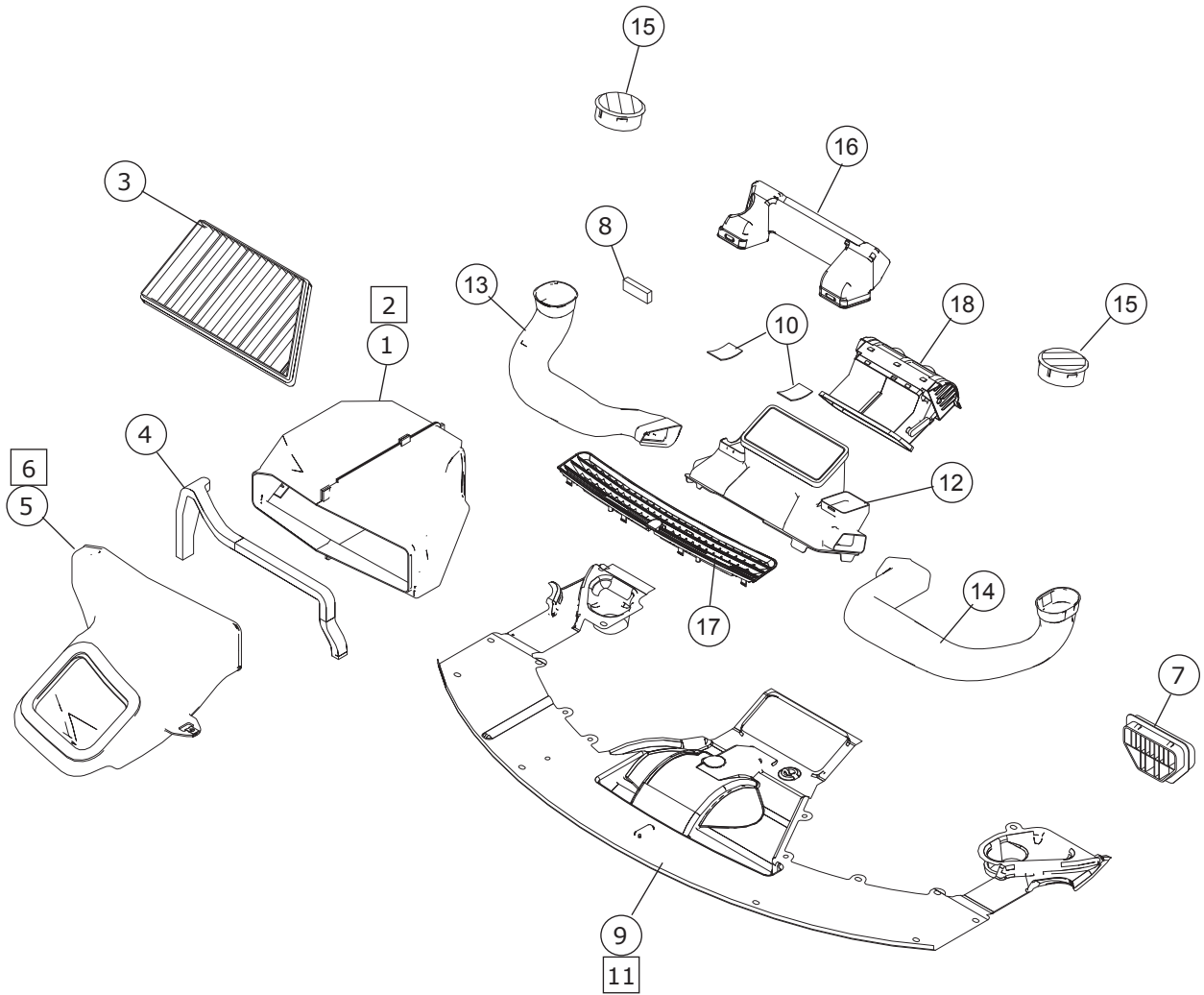
Click inside frame to activate 3D-view

Pos	Part no.	Description	Qty/Assy	Remarks
53	53S.0561.A	PLATE BRAKE RR LH ASSY	1	
54	53S.0562.A	PLATE BRAKE RR RH ASSY	1	
55	53S.0570.A	SCREW. BRAKE PLATE M8X125 L16	8	
56	53S.0580.A	HUB DRUM 8"	2	
57	53S.0610.A	BRAKE HOSE. RR L200	2	
58	53S.0621.A	BRAKE PIPE. SUSPENSION RR LH	1	
59	53S.0622.A	BRAKE PIPE. SUSPENSION RR RH	1	
60	53S.0631.A	BRACKET BRAKE HOSE RR LH ASSY	1	
61	53S.0632.A	BRACKET BRAKE HOSE RR RH ASSY	1	
62	53S.0640.A	SCREW. BRKT BRAKE HOSE RR M8X125 L25	2	
63	53S.0700.A	SPRING CLIP - BRAKE HOSE	2	
64		BRAKE LINING	1	
65		BRAKE CYLINDER	2	
66	537.4500.C	WHEELSPEED SENSOR, ABS REAR	2	
67	537.4560.A	FASTENERS - BRKT WSS REAR	1	
68	537.4530.C	FASTENERS - RR ABS SENSOR CONN	1	
69	537.1010.A	ASSY-HANDBRAKE LEVER	1	
70	537.1020.C	COMPENSATOR HANDBRAKE	1	
71	537.1040.C	FASTENERS-HANDBRAKE CABLE CLIPS	1	
72	537.1070.A	SWITCH - HANDBRAKE LEVER	1	
73	537.1060.A	GROMMET,HANDBRAKE CABLE LOWER	2	
74	537.1080.B	FASTENERS-HANDBRAKE ASSY	1	
75	53S.0651.A	BRACKET CABLE LH HANDBRAKE	1	
76	53S.0652.A	BRACKET CABLE RH HANDBRAKE	1	
77	53S.0660.A	SCREW. BRKT HANDBRAKE CABLE M8X125 L20	2	
78	53S.0670.A	HANDBRAKE CABLE	2	
79	53S.0680.A	CLAMP BRAKE PIPE FIXING ARM SUSPENSION	2	
80	53S.0690.A	CLAMP CABLE FIXING CROSSMEMBER	1	
81	537.2640.F	BRAKE PIPE Ø4.75,ABS/LH RR	1	
82	537.2650.G	BRAKE PIPE Ø4.75,ABS/RH RR	1	
83	537.2670.F	FASTENERS-BRAKE PIPE CLIPS ABS	1	



Click inside frame to activate 3D-view

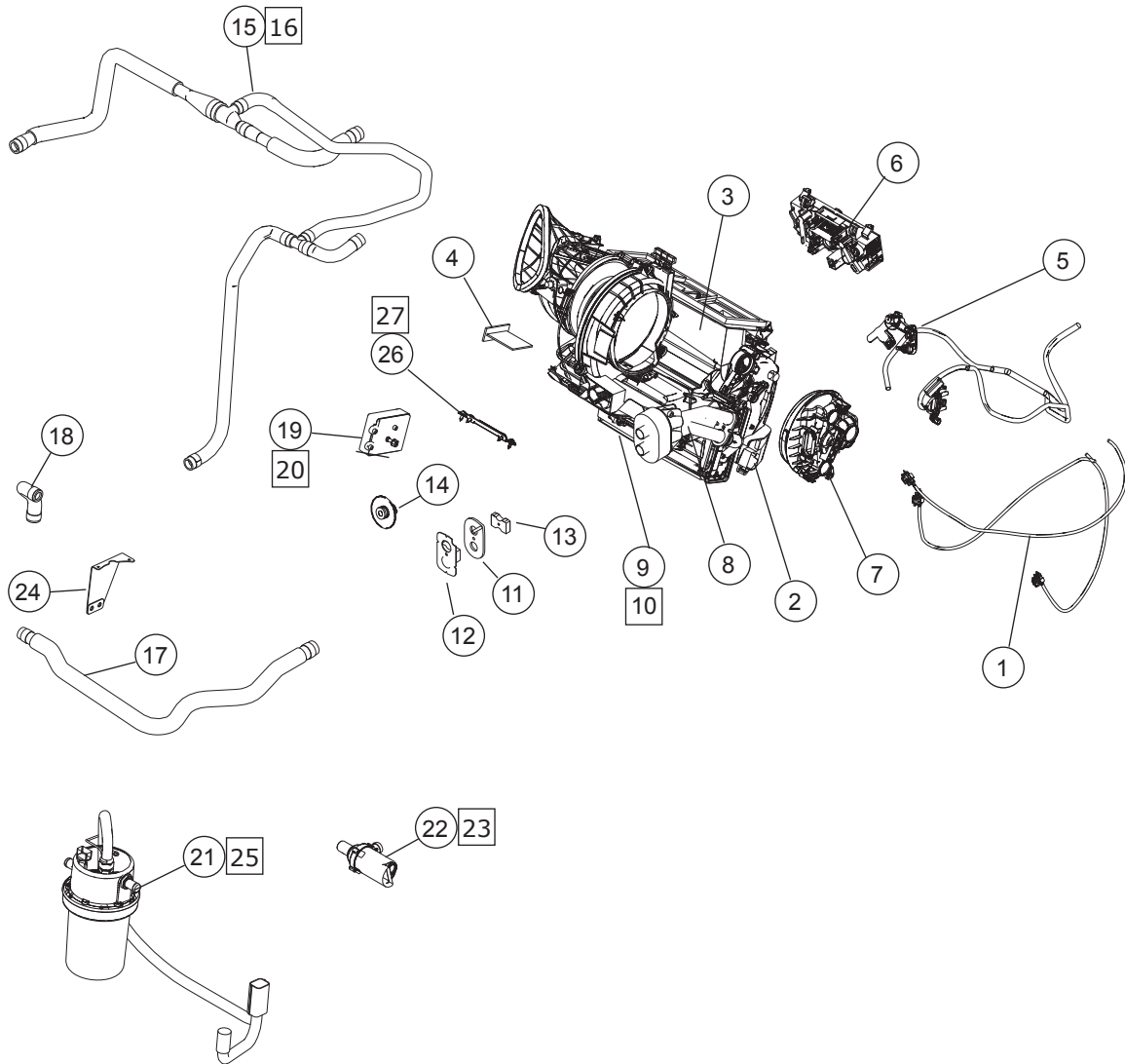
Pos	Part no.	Description	Qty/Assy	Remarks
2	532.1050.A	FASTENERS WHEEL ALU RIM	1	
5	532.6010.C	ALU RIM, 14X6 ET24 PCD 108, CA	4	
6	532.6020.B	CENTRE CUP, ALU RIM CB	4	



Click inside frame to activate 3D-view

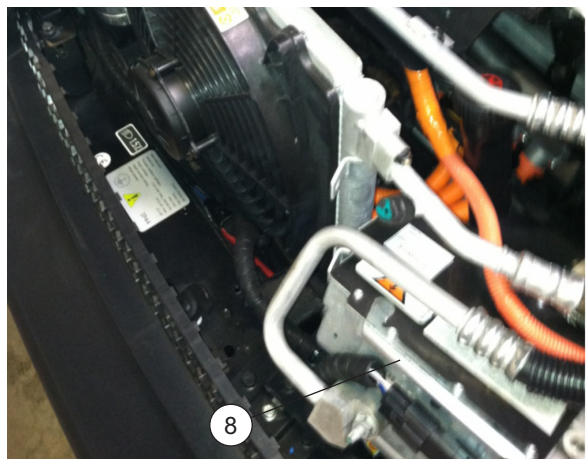
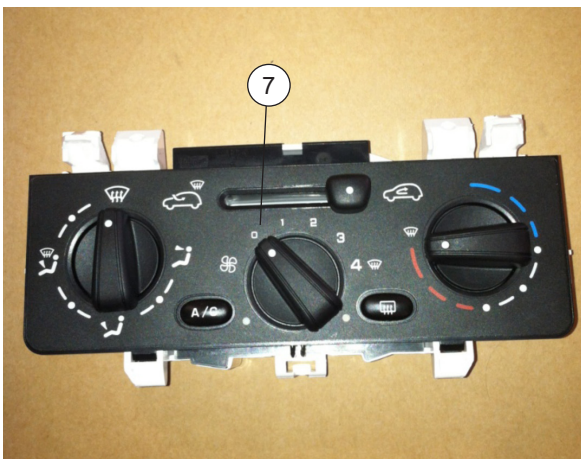
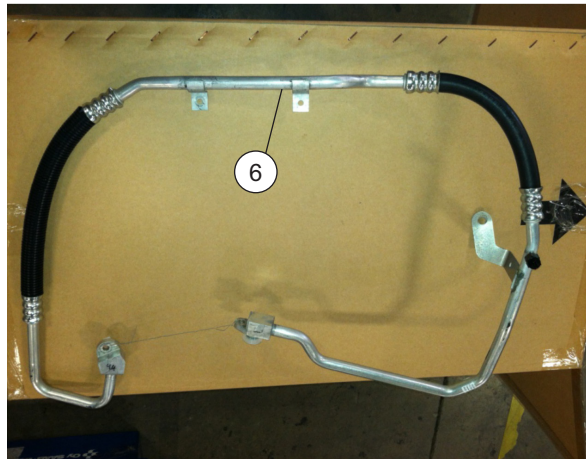
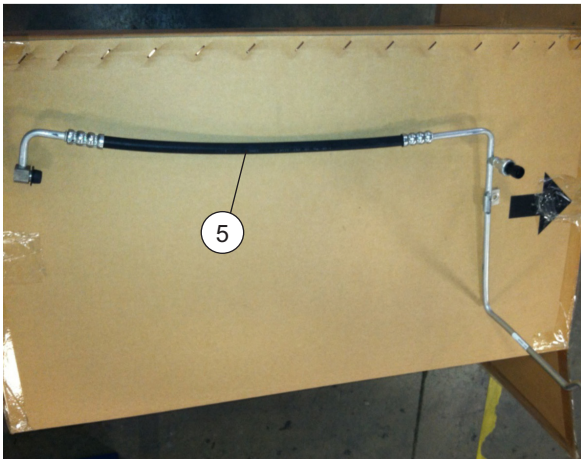
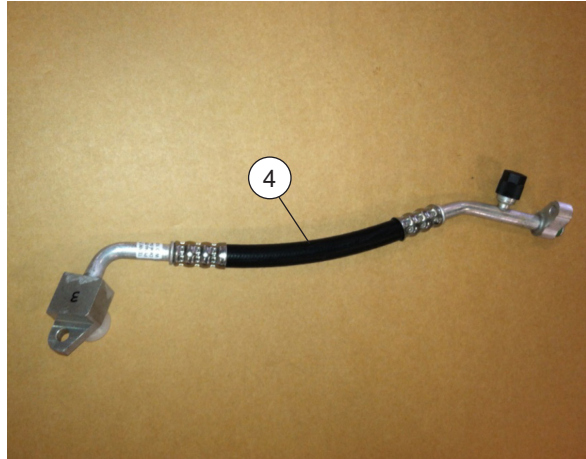
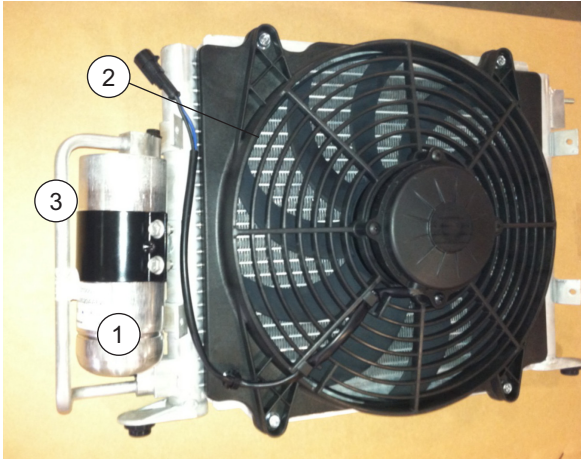


Pos	Part no.	Description	Qty/Assy	Remarks
1	551.2010.E	POLLEN FILTER HOUSING	1	
2	551.8020.B	FASTENER - POLLEN FILTER HOUSING	1	
3	551.2020.A	POLLEN FILTER	1	
4	551.7010.B	FOAM POLLEN FILTER TO UPPER BULKHEAD	1	
5	551.2030.C	AIR INTAKE DUCT	1	
6	551.8010.C	FASTENER - AIR INTAKE DUCT	1	
7	551.3010.A	AIR EXTRACTOR	2	
8	551.7020.A	FOAM SEAL IP VENT RH	1	
9	551.1020.D	DEMIST DUCT CLOSURE	1	
10	572.1007.B	IP FRONT - HVAC SEAL COVER	2	
11	551.8120.D	FASTENER - DEMIST DUCT CLOSURE	1	
12	551.1010.F	HVAC INTERCONNECTION DUCT	1	
13	551.1030.B	AIR DUCT RH	1	
14	551.1040.B	AIR DUCT LH	1	
15	572.2051.B	VENTS CIRCULAR	2	
16	551.1050.C	AIR DUCT CENTRE	1	
17	572.2055.A	FRONT DEMIST GRILLE	1	
18	572.2053.A	CYLINDRICAL CENTER VENT	1	



Click inside frame to activate 3D-view

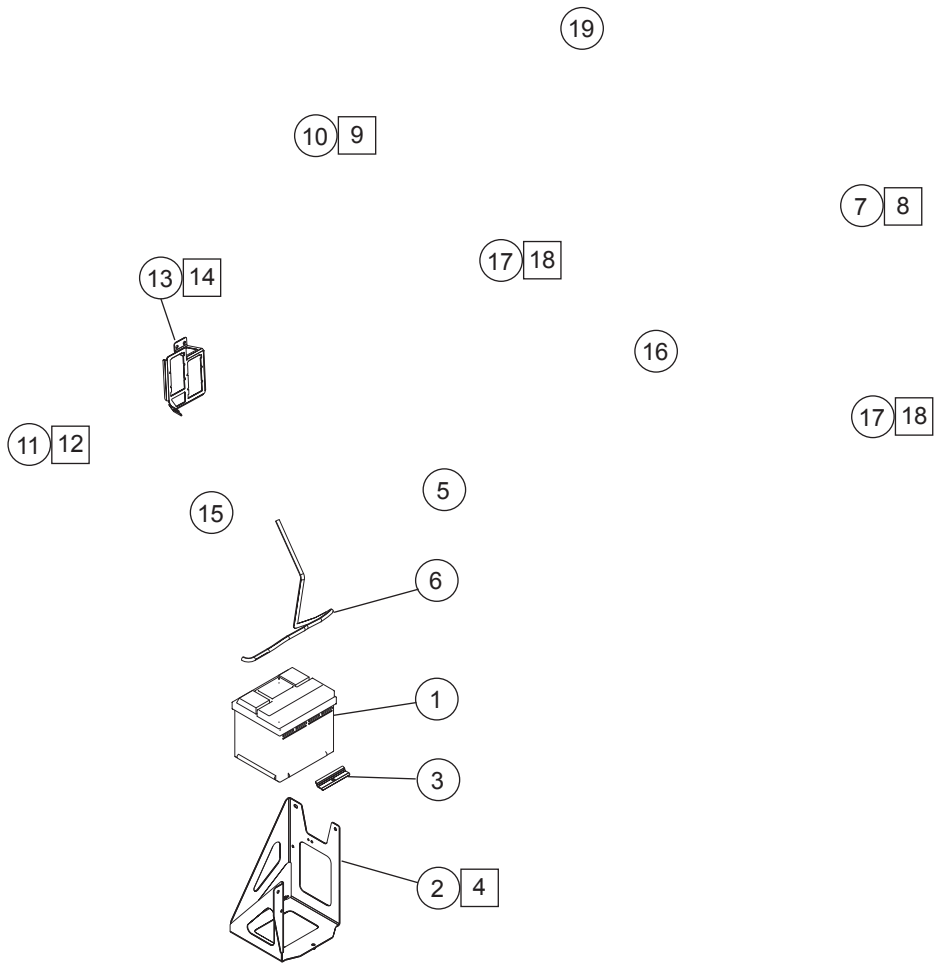
Pos	Part no.	Description	Qty/Assy	Remarks
1	552.1011.A	BOWDEN CABLE	1	
2	552.1012.A	HEATER CORE	1	
3	552.1020.F	HEATER - A/C ASSY	1	
4	552.1015.A	BLOWER MODULE	1	
5	552.1016.A	WIRE HARNESS	1	
6	552.1017.A	CONTROL PANEL	1	
7	552.1018.A	BLOWER	1	
8	552.1013.A	PIPE KIT	1	
9	552.1019.A	COMPLETE HEATER HVAC	1	
10	552.8010.B	FASTENER - HEATER ASSY	1	
11	552.1021.A	HEATER PIPE SEAL	1	
12	552.1022.A	HEATER PIPE WASHER	1	
13	552.1023.A	HEATER PIPE NUT	1	
14	552.1024.A	HEATER LOCATING PIN	1	
15	552.1150.F	HOSE HEATER ASSY TO PUMP	1	
16	552.8150.B	FASTENER - HOSE HTR ASSY TO PUMP	1	
17	552.1210.E	HOSE FLUID HEATER TO HEATER ASSY	1	
18	552.1270.B	HOSE LOOP HEATER/PUMP ASSY	1	
19	552.1070.G	CDCM CLIMATE & DEFROST CONTROL MODULE	1	
20	552.8070.A	FASTENER - CDCM	1	
21	552.1030.F	FLUID HEATER	1	
22	550.1010.D	COOLING PUMP	1	
23	550.8080.A	FASTENER - COOLING PUMP	1	
24	552.1350.B	BRKT - FLUID HEATER PUMP	1	
25	552.8030.B	FASTENER - FLUID HEATER	1	
26	572.4009.B	BRKT HEATER CONTROL	1	
27	572.4010.B	FASTENERS - BRACKET HEATER CONTROL	1	



F03-01

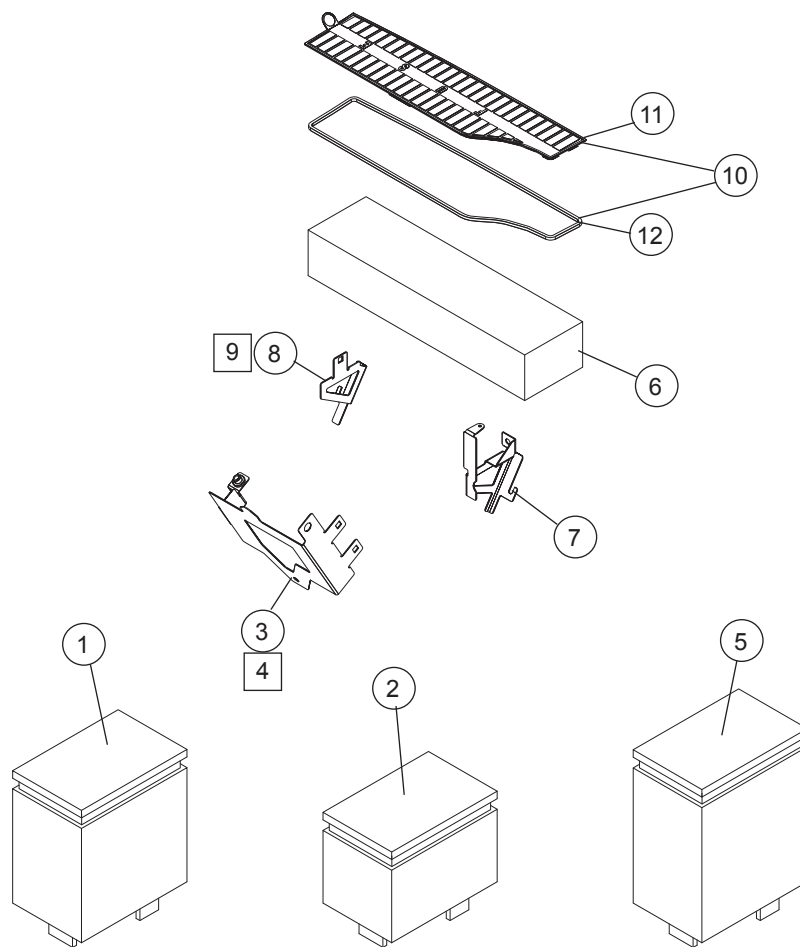
Pos	Part no.	Description	Qty/Assy	Remarks
1	553.1000.E	A/C RECEIVER DRIER		
2	553.1050.E	A/C CONDENSER & FAN ASSY.		
3	553.2020.G	PIPE CONDENSER TO RECEIVER DRIER		
4	553.2010.G	PIPE COMPRESSOR TO CONDENSER		
5	553.2050.G	PIPE RECEIVER DRYER TO EVAPORATOR		
6	553.2060.H	PIPE EVAPORATOR TO COMPRESSOR		
7	552.1017.A	A/C CONTROL PANEL		
8	553.1010.E	ELECTRIC A/C COMPRESSOR		

F03-02



Click inside frame to activate 3D-view

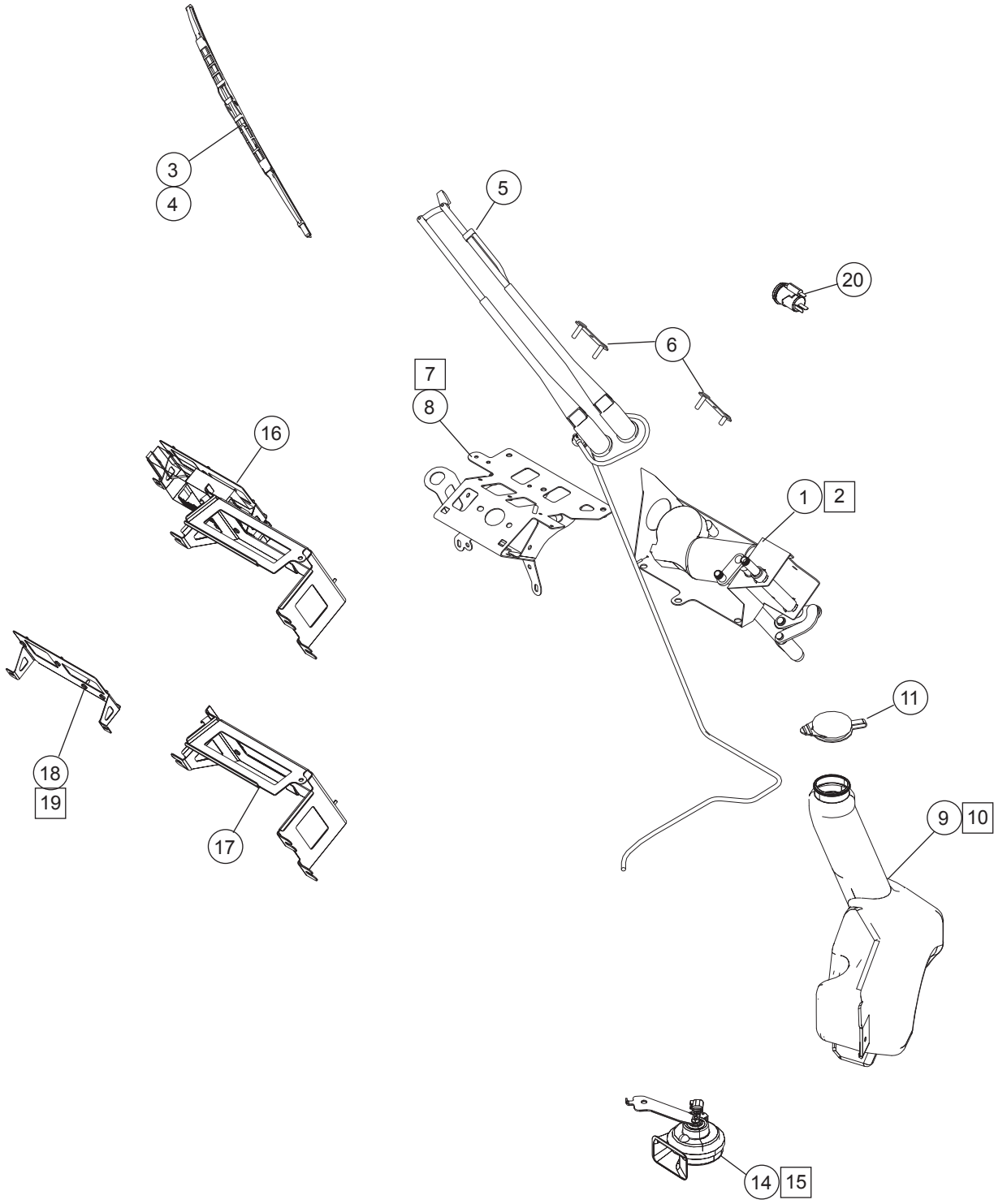
Pos	Part no.	Description	Qty/Assy	Remarks
1	543.1010.B	12 V AUX BATTERY	1	
2	529.5000.E	12V BATTERY BRACKET	1	
3	529.5100.C	12V BATTERY CLAMP	1	
4	520.1400.B	FASTENERS 12V BATTERY BRKT TO LF	1	
5	541.2040.C	CABLE BATT(+) TO AUX MAIN FUSE	1	Not Illustrated
6	541.1110.F	CABLE BATT(-) TO DC/DC & GND	1	
7	541.1010.H	HARNESS CABIN	1	Not Illustrated
8	541.1015.A	FASTENER HARNESS CABIN	1	
9	541.1022.F	HARNESS DASH - HEATER	1	Not Illustrated
10	541.1025.B	FASTENER HARNESS DASH/OBD	1	
11	541.1035.F	HARNESS FRONT	1	Not Illustrated
12	541.1200.A	FASTENER HARNESS FRONT	1	
13	543.2400.B	BRKT CABLE CONNECTOR HOLDER	1	
14	543.2410.A	FASTENER BRKT CABLE CONNECTOR HOLDER	1	
15	541.1190.F	CABLE DC/DC(+) TO FUSE	1	Not Illustrated
16	541.2060.A	KIT HARNESS HEATED FRONT SCREEN, OPTION	1	Not Illustrated
17	541.2200.F	HARNESS DOOR - CONVENIENCE	2	Not Illustrated
18	503.0180.B	FASTENERS DOOR WIRE HARNESS	1	
19	541.1040.E	JUMPER LIFTGATE	1	Not Illustrated



Click inside frame to activate 3D-view



Pos	Part no.	Description	Qty/Assy	Remarks
1	541.2300.A	RELAY DRL	9	
2	541.2400.A	RELAY MINI	6	
3	543.2010.B	BRKT RELAY BOX	1	
4	543.2015.A	FASTENER BRKT RELAY BOX	1	
5	541.2065.A	RELAY HFS HIGH POWER 12V	1	
6	543.2110.B	FUSE BOX 12V	1	
7	543.2051.D	BRKT FUSE HOLDER LH	1	
8	543.2052.B	BRKT FUSE HOLDER RH	1	
9	543.1240.B	FASTENER LH/RH BRKTS FUSE BOX	1	
10	570.1300.E	ASSY FUSE LID AND SEAL	1	
11	570.1302.F	FUSE LID	1	
12	570.1304.B	FUSE LID SEAL EPDM	1	

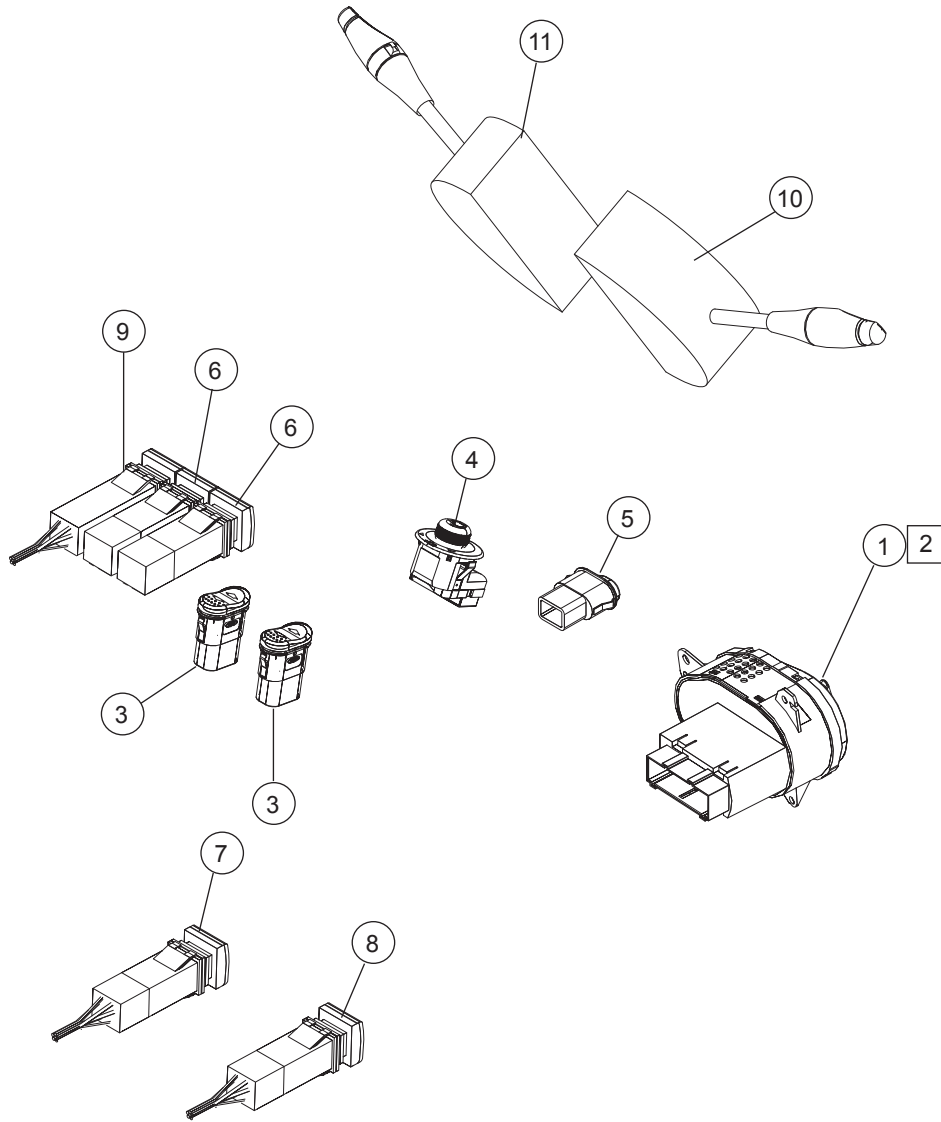


Click inside frame to activate 3D-view

Pos	Part no.	Description	Qty/Assy	Remarks
1	565.0070.D	WINDSCREEN WIPER MECHANISM	1	
2	565.8020.B	FASTENERS WIPER MECHANISM	1	
3	565.0050.A	WINDSCREEN WIPER BLADE	1	
4	565.0230.A	CLIP WIPER BLADE	1	
5	565.0060.D	WINDSCREEN WIPER ARM ASSEMBLY	1	
6	565.0200.C	BRKT WIPER STUD PLATE	2	
7	565.0250.E	BRKT WIPER SUPPORT ASSEMBLY	1	
8	565.8010.B	FASTENERS WIPER SUPPORT BRKT	1	
9	565.0110.F	BOTTLE-WINDSCREEN WASHER	1	
10	565.8030.D	FASTENERS WASHER BOTTLE	1	
11	565.0120.A	CAP - WASHER BOTTLE	1	
12	565.0090.A	PUMP - FRONT WASHER	1	
13	565.0100.A	SEAL - WASHER BOTTLE PUMP	1	
14	543.1040.A	HORN	1	
15	543.1210.A	FASTENER HORN	1	
16	543.1090.B	GEM EU	1	
17	543.2020.D	BRKT DASH GEM/RAC-U	1	
18	543.2040.B	BRKT RESTRAINER GEM&PPU	1	
19	543.2045.A	FASTENER BRKT RESTRAINER GEM&PPU	1	
20	570.3021.B	12 V POWER OUTLET	1	

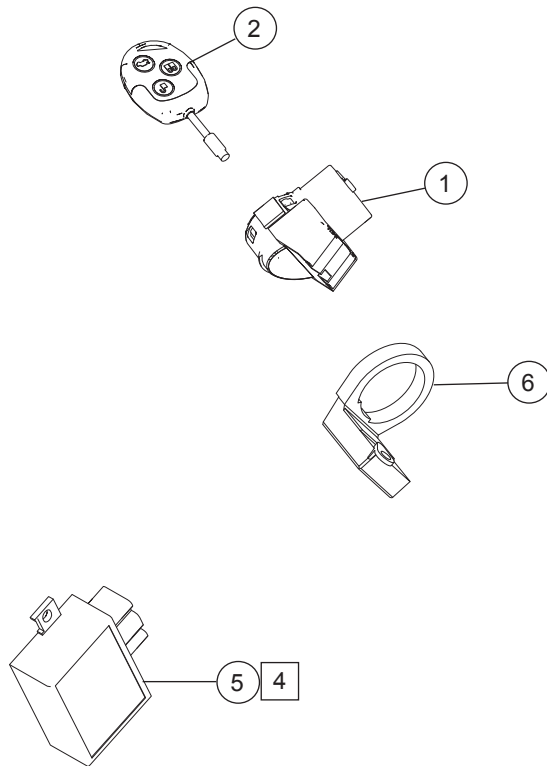


Pos	Part no.	Description	Qty/Assy	Remarks
1	562.0081.E	HEADLAMP ASSY, LH (RH TRAFFIC)	1	
2	562.0082.E	HEADLAMP ASSY, RH (RH TRAFFIC)	1	
3	562.0091.D	HEADLAMP ASSY, LH (LH TRAFFIC)	1	
4	562.0092.D	HEADLAMP ASSY, RH (LH TRAFFIC)	1	
5	56S.0010.A	REAR COVER	1	
6	56S.0020.A	HARNESS	1	
7	56S.0030.A	H4 RETAINING SPRING	1	
8	56S.0040.A	REAR COVER GASKET	1	
9	562.0040.A	REAR/STOP/REFLEX LAMP	2	
10	562.0060.A	REAR INDICATOR/FOG LAMP	1	
11	562.0070.A	REAR INDICATOR/REVERSE LAMP	1	
12	562.0110.A	O RING - REAR LAMP	4	
13	562.8010.B	FASTENERS REAR LAMPS	1	
14	562.0100.A	CHMSL	1	
15	562.8020.C	FASTENERS CHMSL	1	
16	562.0030.A	LICENSE PLATE LAMP	2	
17	562.0010.F	SIDE MARKER LAMP/REFLEX, ECE/SAE	2	
18	562.0130.A	GROMMET SIDE MARKER (EUR)	2	
19	562.0210.A	SIDE MARKER REFLEX, ECE	2	
20	503.8010.C	DOOR AJAR SWITCH	2	
21	578.6101.B	INTERIOR LIGHT ADAPTER HARNESS	1	Not Illustrated
22	570.2029.A	INTERIOR LIGHT	1	



Click inside frame to activate 3D-view

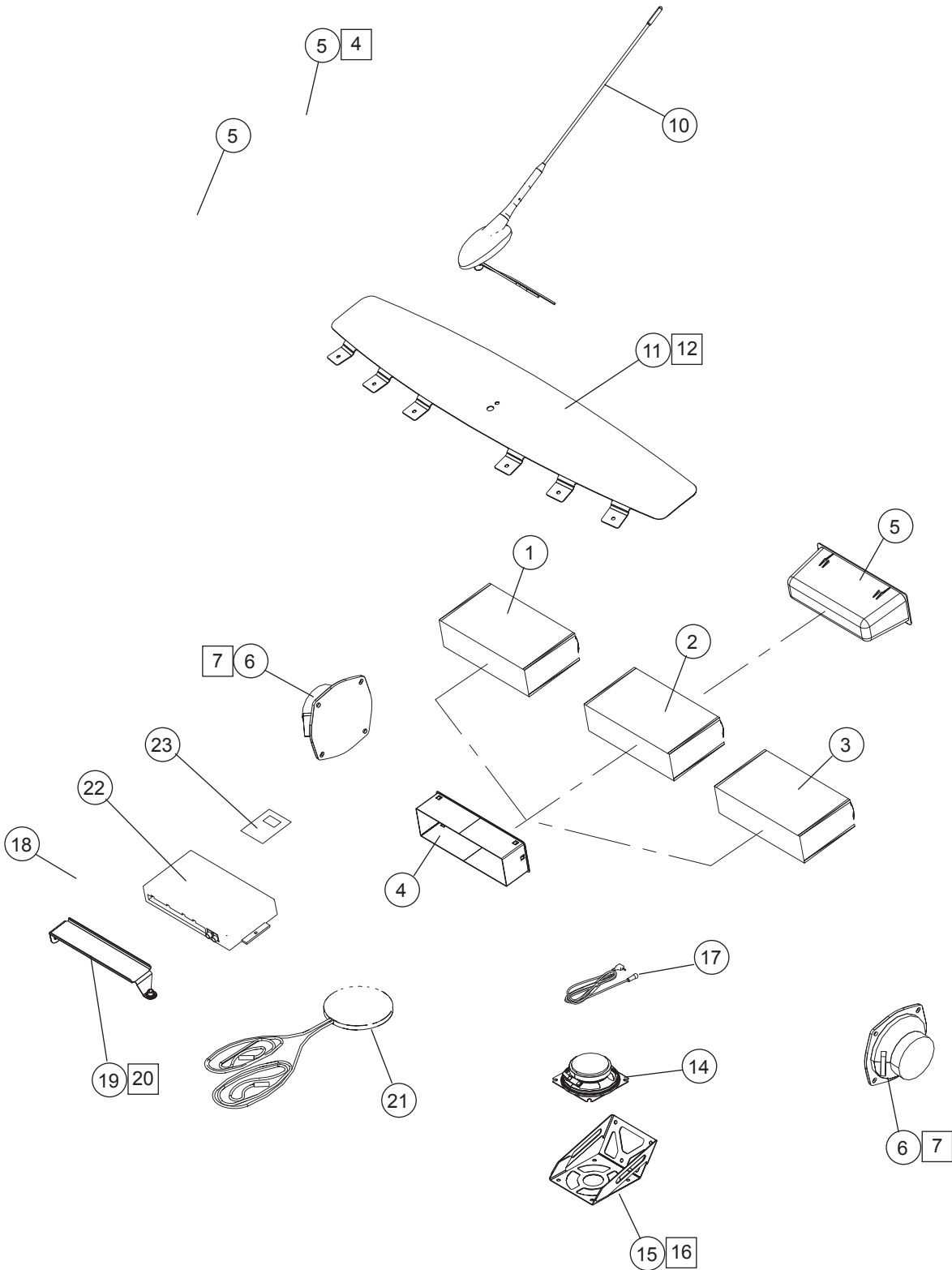
Pos	Part no.	Description	Qty/Assy	Remarks
1	570.3010.B	MAIN LIGHT SWITCH - EURO	1	
2	570.3011.B	FASTENERS - MAIN LIGHT SWITCH	1	
3	502.2140.B	SINGLE REGULATOR SWITCH ASSY	2	
4	578.5022.A	MIRROR OPERATION SWITCH	1	
5	570.3019.A	SWITCH - REAR LATCH RELEASE	1	
6	570.3003.C	SWITCH - BLANK	2	
7	570.3006.A	SWITCH - ASSISTANCE	1	
8	570.3007.A	SWITCH - WINDSCREEN HEATER	1	
9	570.3009.B	SWITCH HAZARD	1	
10	573.1019.A	STALKS, LH	1	
11	573.1021.A	STALKS,RH	1	



Click inside frame to activate 3D-view



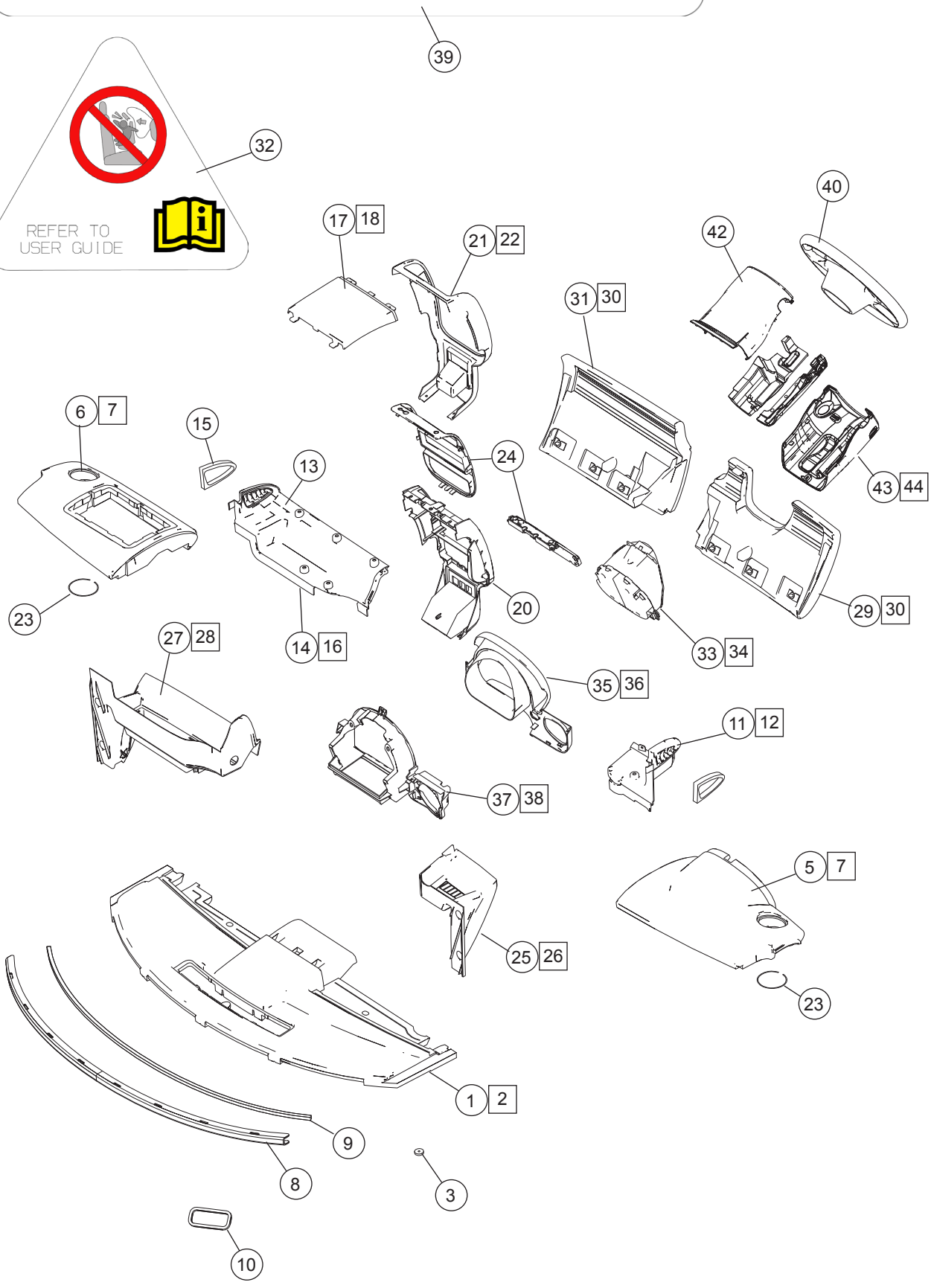
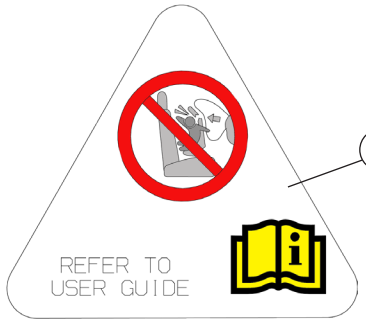
Pos	Part no.	Description	Qty/Assy	Remarks
1	541.1160.A	IGNITION STARTER SWITCH	1	
2	503.6090.A	LOCK SET AND FORKS CKL	1	
3	503.6050.A	REMOTE CONTROL EUROPE (433 MHZ)	1	Not illustrated
4	543.1070.A	PATS CONTROL MODULE	1	
5	543.1085.A	FASTENER PATS	1	
6	543.1080.A	PATS TRANCEIVER	1	



Click inside frame to activate 3D-view

Pos	Part no.	Description	Qty/Assy	Remarks
1	579.1011.A	RADIO - EU BASE, BLAUPUNKT RAVENNA MP27	1	
2	579.1012.A	RADIO - EU MID, BLAUPUNKT CANBERRA SD27	1	
3	579.1013.A	RADIO - EU HIGH, BLAUPUNKT HAMBURG MP57	1	
4	579.1031.B	BRKT - RADIO SUPPORT	1	
5	579.1022.B	RADIO COVER / BOX	1	
6	579.2001.B	LOAD SPEAKER	2	
7	579.2200.C	FASTENERS LOUD SPEAKERS	1	Not illustrated
8	543.1170.A	RADIO ANTENNA BASE	1	Not illustrated
9	543.1230.A	FASTENER ANTENNA	1	
10	543.1150.B	RADIO ANTENNA BROADCAST	1	
11	543.1140.B	GROUND PLANE RADIO ANTENNA BROADCAST	1	
12	543.1145.B	FASTENER GROUND PLANE RADIO ANTENNA	1	Not illustrated
13	543.2060.B	CABLE RADIO ANTENNA	1	
14	579.2010.A	LOUDSPEAKER, HANDSFREE	1	
15	579.2012.A	BRKT - LOUDSPEAKER, HANDSFREE	1	
16	579.2013.A	FASTENERS - BRKT - LOUDSPEAKER	1	
17	579.2050.A	MICROPHONE, HANDSFREE	1	
18	543.3010.B	REMOTE ACQUISITION UNIT ZIBOX-LT	1	Not illustrated
19	543.2600.A	BRKT BOX HOLDER RAC-U	1	
20	543.2610.A	FASTENER BRKT BOX HOLDER RAC-U	1	
21	541.2050.C	HARNESS RAC-U	1	
22	543.3020.A	ANTENNA RAC-U	1	
23	543.3030.A	SIM-KORT RAC-U	1	

PLEASE READ INSTRUCTION MANUAL BEFORE USE

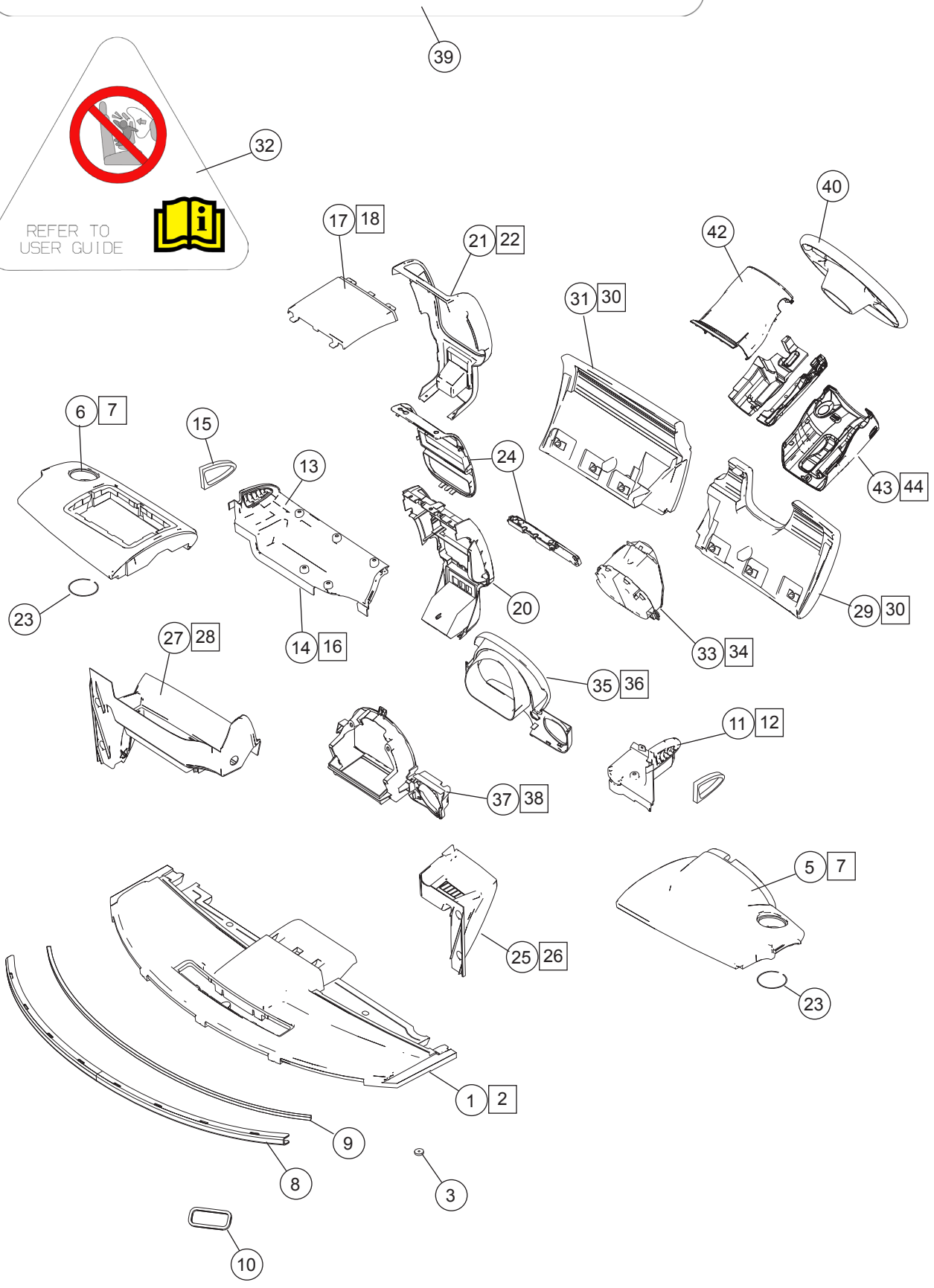
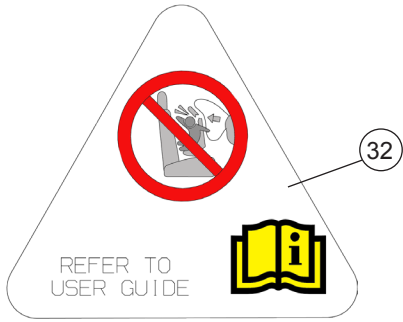


Click inside frame to activate 3D-view

Pos	Part no.	Description	Qty/Assy	Remarks
1	572.1000.C	ASSY INSTRUMENT PANEL FRONT	1	
2	572.1008.A	FASTENERS - INSTRUMENT PANEL FRONT	1	
3	572.1005.A	WASHER PP INSTRUMENT PANEL FRONT FOAM	14	
4	572.2010.E56	ASSY INSTRUMENT PANEL REAR FOAM LH	1	
5	572.2015.B	FASTENERS - IP REAR FOAM LH	1	
6	572.2020.E56	ASSY INSTRUMENT PANEL REAR FOAM RH	1	
7	572.2025.C	FASTENERS - IP REAR FOAM RH	1	
8	565.0040.D	IP FRONT SUPPORT	1	
9	565.3050.A	SEAL IP FRONT SUPPORT VS. IP	1	
10	565.3060.C	SEAL VIN PLATE	1	
11	570.1100.F	ASSY INSTRUMENT PANEL END PANEL LH	1	
12	570.1103.B	FASTENERS - IP END PANEL, LH	1	
13	570.1200.F	ASSY INSTRUMENT PANEL END PANEL RH	1	
14	570.1102.H	INSTRUMENT PANEL - END PANEL, RH	1	
15	570.1112.B	END PANEL SEAL RH	1	
16	570.1104.B	FASTENERS - IP END PANEL, RH	1	
17	572.4007.D	CENTER STACK TOP PLATE	1	
18	572.4008.C	FASTENERS - CENTER STACK TOP PLATE	1	
19	572.4013.K	CENTER STACK SUPPORT STRUCTURE	1	
20	572.4043.B	FASTENERS - CENTER STACK SUPPORT	1	
21	572.4020.I	CENTER STACK FRAME	1	
22	572.4042.B	FASTENERS - CENTER STACK FRAME	1	
23	572.2054.A	RETAINER - CYLINDRICAL CENTER VENT	2	
24	572.4100.E	ASSY INDICATOR BARS AND FACIA	1	
25	570.1105.G	KNEE BOLSTER SHELF, LH	1	
26	570.1107.C	FASTENERS - KNEE BOLSTER SHELF, LH	1	
27	570.1106.G	KNEE BOLSTER SHELF, RH	1	
28	570.1110.D	FASTENERS - KNEE BOLSTER SHELF, RH	1	
29	572.3010.F	ASSY KNEE BOLSTER FOAM LH	1	
30	572.3007.C	FASTENERS - KNEE BOLSTER FOAM	2	
31	572.3020.G	ASSY KNEE BOLSTER FOAM RH	1	
32	575.0018.B	LBL - AIR BAG WARNING	1	
33	543.1020.C	INSTRUMENT CLUSTER KPH	1	
34	543.1025.A	FASTENER INSTRUMENT CLUSTER	1	
35	573.1011.G	CLUSTER CLOSURE PANEL	1	
36	573.1012.B	FASTENERS - CLUSTER CLOSURE PANEL	1	



PLEASE READ INSTRUCTION MANUAL BEFORE USE



Click inside frame to activate 3D-view

Pos	Part no.	Description	Qty/Assy	Remarks
37	572.2011.F	CLUSTER SUPPORT STRUCTURE	1	
38	572.2012.D	FASTENERS - CLUSTER SUPPORT STRUCTURE	1	
39	575.0017.B	LBL - READ INSTRUCTION MANUAL	1	
40	575.1010.A	STEERING WHEEL	1	
41	575.1013.A	LOGO - STEERING WHEEL AIRBAG	1	
42	573.1017.B	SHROUD UPPER	1	
43	573.1018.B	SHROUD LOWER	1	
44	573.1016.B	FASTENERS - SHROUD	1	



Click inside frame to activate 3D-view

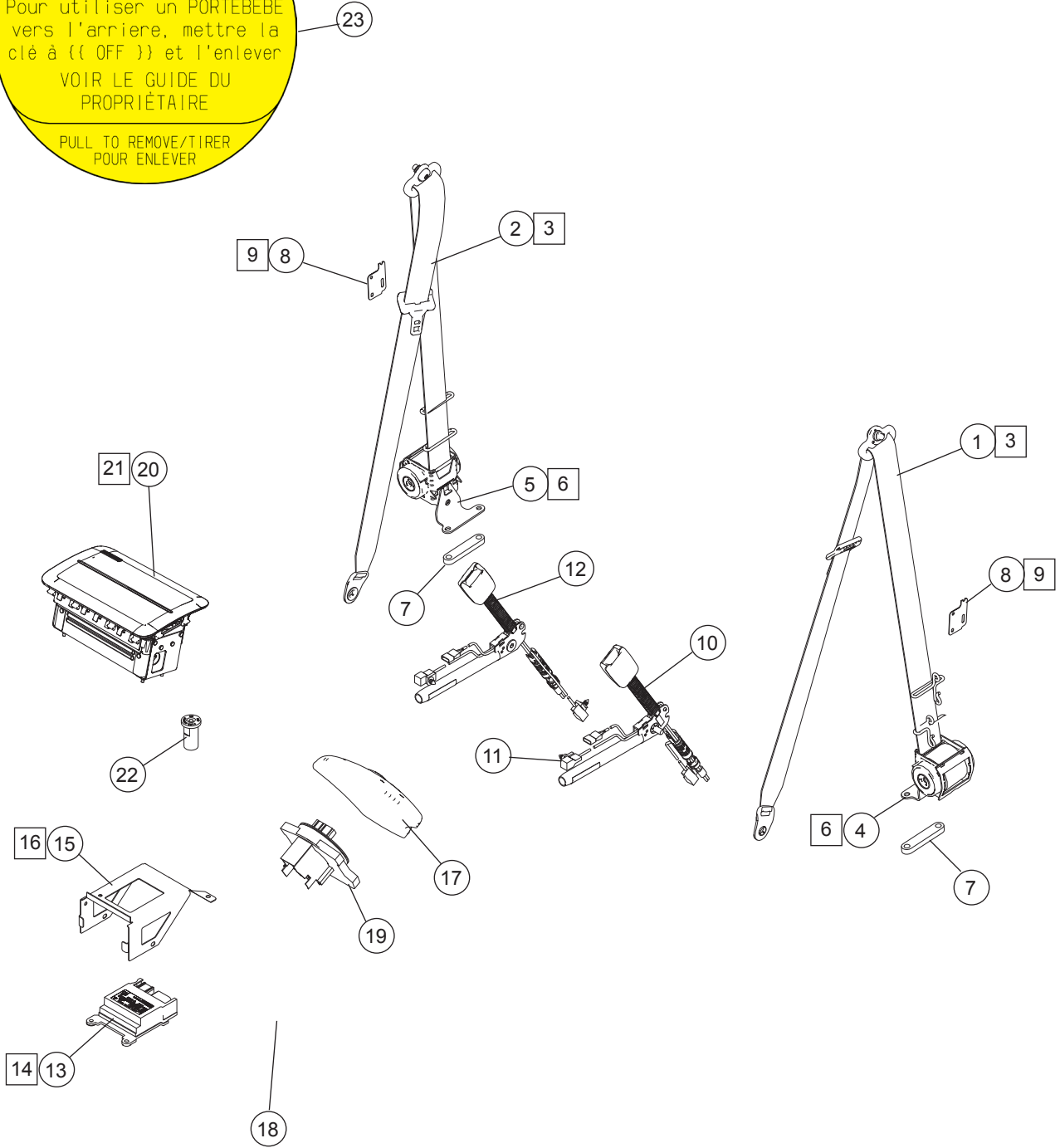


Pos	Part no.	Description	Qty/Assy	Remarks
1	571.1000.F	SEAT - LH	1	
2	571.1051.A	BRKT - SEAT, CONNECTOR	2	
3	571.2000.G	SEAT - RH	1	
4	571.3000.C	FASTENERS - SEATS	1	

To use rear facing CHILD SEAT, turn key to OFF and remove key. SEE USER GUIDE

Pour utiliser un PORTEBÉBÉ vers l'arrière, mettre la clé à (( OFF )) et l'enlever VOIR LE GUIDE DU PROPRIÉTAIRE

PULL TO REMOVE/TIRER POUR ENLEVER



Click inside frame to activate 3D-view

Pos	Part no.	Description	Qty/Assy	Remarks
1	575.3011.D	SAFETY BELT FA - LH	1	
2	575.3012.D	SAFETY BELT FA - RH	1	
3	575.3013.C	FASTENERS - SAFETY BELT LH/RH	1	
4	575.3021.D	BRKT - SEAT BELT RETRACTOR, LH	1	
5	575.3022.D	BRKT - SEAT BELT RETRACTOR, RH	1	
6	575.3023.B	FASTENERS - SEAT BELT RETRACTORS LH RH	1	
7	575.3024.E	BRKT SPACER - SEAT BELT RETRACTORS LH RH	2	
8	575.3020.C	BRKT - SEAT BELT GUIDING LH/RH	2	
9	575.3027.B	FASTENERS - SEAT BELT GUIDING LH/RH	1	
10	575.3025.B	CENTER BUCKLE - LH	1	
11	541.2130.A	CONNECTOR BUCKLE LOCK SWITCH DRIVER	1	
12	575.3026.B	CENTER BUCKLE - RH	1	
13	575.0030.A	AIRBAG CONTROL MODULE - AB9 ECU	1	
14	575.0011.C	FASTENERS - ECU	1	
15	575.0025.E	BRKT - ECU PROTECTION COVER	1	
16	575.0026.C	FASTENERS - BRKT - ECU PROTECTION COVER	1	
17	575.1012.D	STEERING WHEEL AIRBAG ACTIVE	1	
18	541.3000.A	HARNESS DRIVERS AIRBAG	1	Not illustrated
19	575.1021.A	CLOCK SPRING	1	
20	575.2000.C	PASSENGER AIRBAG	1	
21	575.2003.B	FASTENERS - PASSENGER AIRBAG	1	
22	578.5012.B	PAB DISABLE SWITCH	1	
23	575.0008.B	LBL - AIR BAG SHUT OFF	1	

**WARNING** **ADVERTISSEMENT**

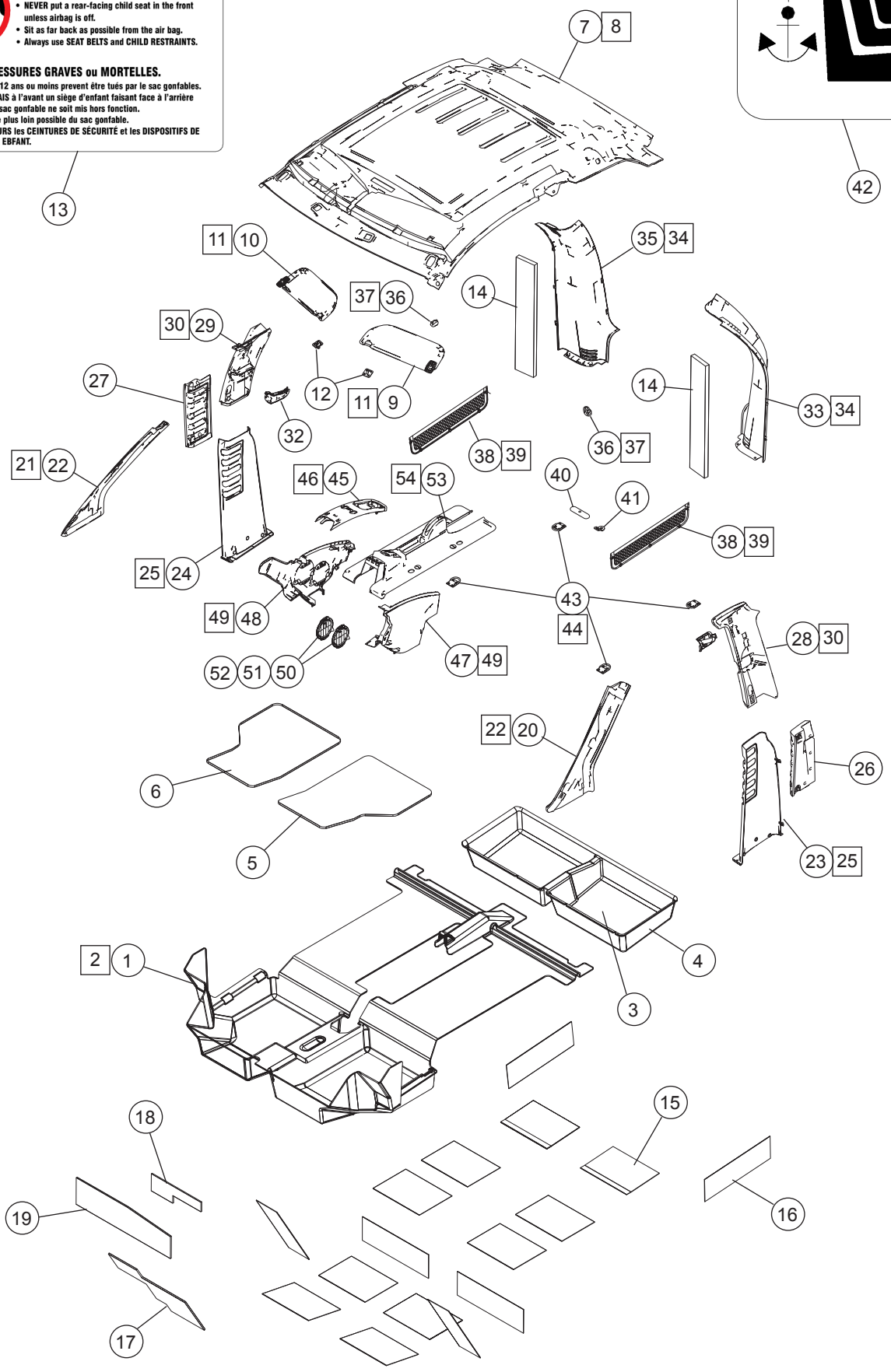
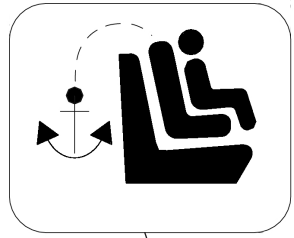


**DEATH or SERIOUS INJURY can occur.**

- Children 12 and under can be killed by the air bag.
- NEVER put a rear-facing child seat in the front unless airbag is off.
- Sit as far back as possible from the air bag.
- Always use SEAT BELTS and CHILD RESTRAINTS.

**Risque de BLESSURES GRAVES ou MORTELLES.**

- Les enfants de 12 ans ou moins peuvent être tués par le sac gonflable.
- Ne placez JAMAIS à l'avant un siège d'enfant faisant face à l'arrière à moins que le sac gonflable ne soit mis hors fonction.
- Asseyez-vous le plus loin possible du sac gonflable.
- Utilisez TOUJOURS les CEINTURES DE SÉCURITÉ et les DISPOSITIFS DE RETENUE POUR ENFANT.



Click inside frame to activate 3D-view

Pos	Part no.	Description	Qty/Assy	Remarks
1	570.8101.F	FRONT CARPET	1	
2	570.8060.A	FASTENERS CARPET FRONT	1	
3	570.8103.G	ASSY - REAR CARPET	1	
4	570.8317.D	REAR WELL LINER	1	
5	570.9023.C	THROW IN MAT - TEXTILE, LH	1	
6	570.9024.C	THROW IN MAT - TEXTILE, RH	1	
7	570.1921.A	ASSY - HEADLINING, UNIVERSAL	1	
8	570.1911.B	FASTENERS - HEAD LINING	1	
9	570.1015.B	SUNVISOR, LH	1	
10	570.1016.B	SUNVISOR, RH	1	
11	570.1031.B	FASTENERS - SUNVISORS	1	
12	570.1030.A	SUNVISOR - CLIP	2	
13	575.0007.B	LBL - AIR BAG WARNING VISOR	1	
14	570.8015.C	SD - C-PILLAR TRIM	2	
15	570.8005.C	SD - DAMPING 280X200	8	
16	570.8009.C	SD - DAMPING 400X125	2	
17	570.8021.D	SD - LOWER BULKHEAD	1	
18	570.8023.C	SD - LOWER BULKHEAD LH	1	
19	570.8025.D	SD - UPPER BULKHEAD	1	
20	570.8321.A	A-PILLAR TRIM, LH	1	
21	570.8322.A	A-PILLAR TRIM, RH	1	
22	570.1003.B	FASTENERS - A-PILLAR TRIM	1	
23	570.1013.H	B-PILLAR TRIM LOWER, LH	1	
24	570.1014.H	B-PILLAR TRIM LOWER, RH	1	
25	570.1025.C	FASTENERS - B-PILLAR TRIM LOWER	1	
26	570.1017.E	B-PILLAR LOWER IMPACT FOAM - LH	1	
27	570.1018.E	B-PILLAR LOWER IMPACT FOAM - RH	1	
28	570.8323.A	B-PILLAR TRIM UPPER, LH	1	
29	570.8324.A	B-PILLAR TRIM UPPER, RH	1	
30	570.1240.B	FASTENERS - B-PILLAR TRIM UPPER	1	
31	570.1041.B	SEAT BELT APERTURE BEZEL - LH	1	
32	570.1042.B	SEAT BELT APERTURE BEZEL - RH	1	
33	570.1053.F	C-PILLAR TRIM, LH	1	
34	570.1241.C	FASTENERS - C-PILLAR TRIM	2	
35	570.1054.F	C-PILLAR TRIM, RH	1	
36	570.1033.A	COAT HOOK	1	

**WARNING** **ADVERTISSEMENT**

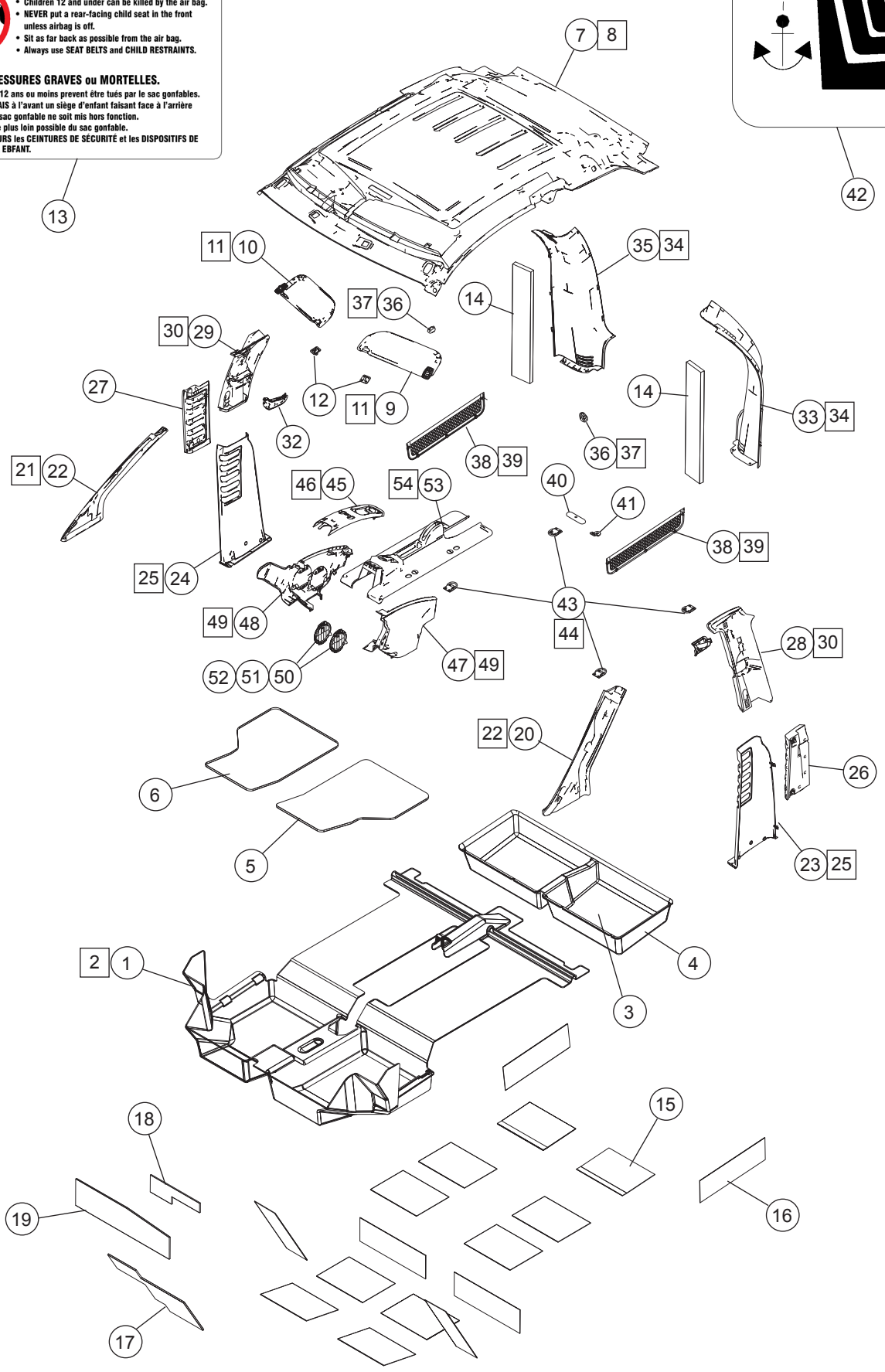
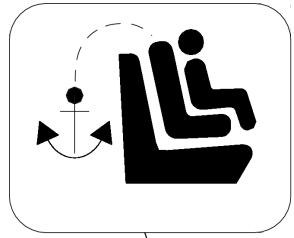


**DEATH or SERIOUS INJURY can occur.**

- Children 12 and under can be killed by the air bag.
- NEVER put a rear-facing child seat in the front unless airbag is off.
- Sit as far back as possible from the air bag.
- Always use SEAT BELTS and CHILD RESTRAINTS.

**Risque de BLESSURES GRAVES ou MORTELLES.**

- Les enfants de 12 ans ou moins peuvent être tués par le sac gonflable.
- Ne placez JAMAIS à l'avant un siège d'enfant faisant face à l'arrière à moins que le sac gonflable ne soit mis hors fonction.
- Asseyez-vous le plus loin possible du sac gonflable.
- Utilisez TOUJOURS les CEINTURES DE SÉCURITÉ et les DISPOSITIFS DE RETENUE POUR ENFANT.



Click inside frame to activate 3D-view

Pos	Part no.	Description	Qty/Assy	Remarks
37	570.1034.B	FASTENERS - COAT HOOK	1	
38	570.9013.C	BODYSIDE INNER POCKET,LH & RH	2	
39	570.9015.B	FASTENERS - BODYSIDE INNER POCKET LH/RH	1	
40	570.8319.A	CHILD SEATBELT TETHER BRACKET	1	
41	570.8318.A	CHILD SEATBELT TETHER ANCHOR	1	
42	575.0012.B	LBL - CHILD SEAT	1	
43	570.8313.A	RETAINER - STRAP	4	
44	570.8314.C	FASTENERS - RETAINER - STRAP	1	
45	572.4015.G	GEAR CONSOLE COVER	1	
46	572.4016.B	FASTENERS GEAR CONSOLE COVER	1	
47	572.4011.F	GEAR CONSOLE CLOSURE PANEL, LH	1	
48	572.4012.H	GEAR CONSOLE CLOUSURE PANEL, RH	1	
49	572.4014.B	FASTENERS-ASSY-GEAR CONSOLE CLOS PAN	1	
50	572.4024.B	ASSY - CUP HOLDER	2	
51	572.4021.D	TOP RING - CUP HOLDER	2	
52	572.4022.E	BOTTOM - CUP HOLDER	2	
53	572.4019.H	CENTER CONSOLE	1	
54	572.4041.D	FASTENERS - CENTER CONSOLE	1	



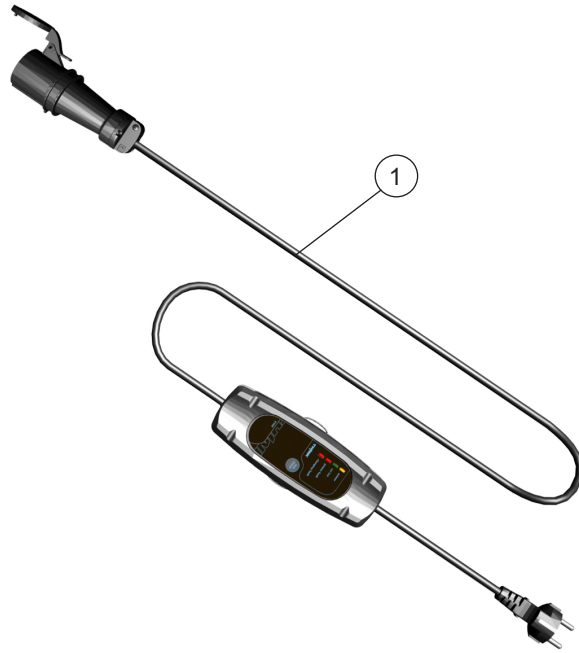
2



3



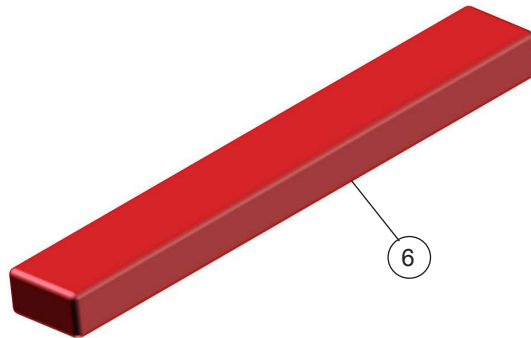
4



1



7



6



Pos	Part no.	Description	Qty/Assy	Remarks
1	581.1010.B	CHARGE CBL NOR-EUR IEC309-IT DUO 230V	1	
2	575.1014.A	USER MANUAL FOLDER	1	
3	575.1260.A	USER MANUAL U.S.	1	
6	570.1080.B	WARNING TRIANGLE	1	
7	532.8010.A	TYRE REFILL CAN	1	



Part #	Content	Part Description	Qty	Units
503.0040.C	012.5016.D	FASTENERS DOOR OUTER HANDLE PLATE - PT K50X16 WN 1452	2	pcs
	020.0600.F	- ROUND WASHER DIN 125 ST A4.3 A1C	2	pcs
503.0050.C	006.0516.F	FASTENERS DOOR INSIDE HANDLE BEZEL - SPS PAN HEAD SCREW 5X16	2	pcs
503.0060.C	006.0512.F	FASTENERS DOOR INSIDE HANDLE BRKT - SPS PAN HEAD SCREW 5X12	8	pcs
503.0070.D	006.0616.E	FASTENERS DOOR LATCH - SPS PAN HEAD SCREW 6X16	6	pcs
503.0080.C	003.0825.E	FASTENERS DOOR LATCH STRIKER - CSK TORX M8X25	4	pcs
503.0100.C	042.0600.E	FASTENERS DOOR GLASS REGULATOR MECH - FLANGE LOCK NUT M6	6	pcs
	080.0508.D	- POP RIVET 5X8 ELZN/ELZN	6	pcs
503.0110.C	006.0516.F	FASTENERS DOOR OUTER HANDLE BRKT - SPS PAN HEAD SCREW 5X16	4	pcs
	032.1619.C	- RUBBER BLANK GROMMIT 16-19 1.5	2	pcs
503.0120.C	001.1230.E	FASTENERS DOOR HINGES-DOOR - FLANGED HEAD HEX SCREW M12X30	4	pcs
503.0130.C	001.1020.E	FASTENERS DOOR HINGES-FRAME - FLANGED HEAD HEX SCREW M10X20	8	pcs
503.0140.C	006.0820.E	FASTENERS DOOR CHECK ARM - SPS PAN HEAD SCREW 8X20	2	pcs
	042.0600.E	- FLANGE LOCK NUT M6	4	pcs
503.0160.C	001.0820.E	FASTENERS DOOR STRIKER BRKT - FLANGED HEAD HEX SCREW M8X20	4	pcs
503.0170.C	001.0616.E	FASTENERS DOOR GLASS - FLANGED HEAD HEX SCREW M6X16	4	pcs
503.0180.B	078.0010.C	FASTENERS DOOR WIRE HARNESS - ZIP TIE 4.8X300 MM	4	pcs
	078.1028.C	- ZIP TIE FOOT D10-28 - D6.5	4	pcs
514.0410.C	006.0516.F	FASTENER ASSY, COOLING FAN TO BRKT - SPS PAN HEAD SCREW 5X16	4	pcs
	042.0500.E	- FLANGE LOCK NUT M5	4	psc
514.0420.E	001.0625.E	FASTENER ASSY, FAN BRKT TO LOWER FRAME - FLANGED HEAD HEX SCREW M6X25	3	pcs
514.0620.B	096.3319.A	FASTENER TAPE UNDER SEAT DECK - VHB ACRYLIC FOAM TAPE 4952P 19X33000	8260	mm
520.0070.A		FASTENERS HEADERS TO UF SEALING		



Part #	Content	Part Description	Qty	Units
520.0080.A	090.0200.A	- ADHESIVE BETASEAL 1527 FASTENERS UF TO LF SEALING	1	ml
520.0090.A	090.0003.D	- SEALANT BETAFILL 10215 FASTENERS SCR/REAR HEADER TO UF	1	ml
	015.4816.A	- PAN SDS AW 4.8X16	16	pcs
	090.0100.A	- ADHESIVE ARALDITE 2022	1	ml
520.0100.C		FASTENERS UF TO LF A-POST & B-POST		
	006.0820.E	- SPS PAN HEAD SCREW 8X20	16	pcs
520.0200.C		FASTENERS UF TO LF STRUT CONNECTION		
	006.0820.E	- SPS PAN HEAD SCREW 8X20	4	pcs
	024.0824.E	- WASHER DIN 9021 ST 8.4 A1C M8X24	4	pcs
	042.0800.E	- FLANGE LOCK NUT M8	4	pcs
520.0300.B		FASTENERS UF TO LF W.HOUSE/VALANCE		
	080.0510.D	- POP RIVET 5X10 ELZN/ELZN BK	22	pcs
520.0400.B		FASTENERS UF TO LF SILL CONNECTION		
	006.0820.E	- SPS PAN HEAD SCREW 8X20	4	pcs
520.0500.B		FASTENERS C-POST TO UPPER FRAME		
	001.0820.E	- FLANGED HEAD HEX SCREW M8X20	4	pcs
520.0600.B		FASTENERS C-POST TO LOWER FRAME		
	001.0820.E	- FLANGED HEAD HEX SCREW M8X20	4	pcs
520.0700.B		FASTENERS DASH CROSS BEAM TO UF		
	001.0820.E	- FLANGED HEAD HEX SCREW M8X20	4	pcs
520.0800.B		FASTENERS DASH CROSS BEAM TO LF		
	001.0616.E	- FLANGED HEAD HEX SCREW M6X16	4	pcs
	042.0600.E	- FLANGE LOCK NUT M6	2	pcs
520.0900.B		FASTENERS KNEEBOLSTER TO UF		
	001.0820.E	- FLANGED HEAD HEX SCREW M8X20	4	pcs
520.1000.B		FASTENERS BATTERY TRAY TO LF		
	001.0820.E	- FLANGED HEAD HEX SCREW M8X20	22	pcs
520.1200.C		FASTENERS SEAT DECK LID TO LF		
	011.4812.F	- FLANGED SPS ST 4.8X12	14	pcs
520.1300.C		FASTENERS SKID PLATE TO LOWER FRAME		
	001.0820.E	- FLANGED HEAD HEX SCREW M8X20	3	pcs
520.1400.B		FASTENERS 12V BATTERY BRKT TO LF		
	001.0625.E	- FLANGED HEAD HEX SCREW M6X25	1	pcs
	001.0820.E	- FLANGED HEAD HEX SCREW M8X20	1	pcs
	042.0800.E	- FLANGE LOCK NUT M8	2	pcs
520.1500.B		FASTENERS FRT MOTOR MOUNT TO TRANNY		
	001.1230.E	- FLANGED HEAD HEX SCREW M12X30	2	pcs
520.1600.C		FASTENERS FRT MOTOR MOUNT TO LF		
	001.1080.E	- FLANGED HEAD HEX SCREW M10X80	1	pcs
	041.1000.E	- SELF LOCKING HEXAGON NUT M10-8 A1C	1	pcs



Part #	Content	Part Description	Qty	Units
520.1700.B		FASTENERS SIDE MOTOR MOUNT TO MOTOR		
	001.1020.E	- FLANGED HEAD HEX SCREW M10X20	1	pcs
	001.1080.E	- FLANGED HEAD HEX SCREW M10X80	1	pcs
520.1800.B		FASTENERS SIDE MOTOR MOUNT TO LF		
	001.0820.E	- FLANGED HEAD HEX SCREW M8X20	3	pcs
	041.0800.E	- SELF LOCKING HEXAGON NUT M8-8 A1C	2	pcs
520.1900.D		FASTENERS RR MOTOR MOUNT TO TRANNY		
	001.1018.D	- FLANGED HEAD HEX CREW M10X180	2	pcs
	020.1000.E	- ROUND WASHER DIN 125 ST A11 AIC	4	pcs
	041.1000.E	- SELF LOCKING HEXAGON NUT M10-8 A1C	2	pcs
520.2000.C		FASTENERS RR MOTOR MOUNT TO LF		
	001.1080.E	- FLANGED HEAD HEX SCREW M10X80	2	pcs
520.2100.B		FASTENERS EL.SUBFRAME TO FRAME RAILS		
	001.0820.E	- FLANGED HEAD HEX SCREW M8X20	4	pcs
520.2200.C		FASTENERS EL.SUBFRAME TO STRUTTOWERS		
	001.0640.B	- HEX SCREW DIN 933 M6X40 8.8 AIC	4	pcs
	024.0618.E	- WASHER DIN 9021 ST A6,4 AIC M6X18	4	pcs
520.2300.C		FASTENERS TRACKTION BATTERY RETENTION		
	001.0820.E	- FLANGED HEAD HEX SCREW M8X20	6	pcs
520.2500.B		FASTENERS PCU MNTG BRKT TO PCU		
	001.0810.E	- FLANGED HEAD HEX SCREW M8X10	8	pcs
520.2600.C		FASTENERS PCU ISOLATORS		
	041.0600.E	- SELF LOCKING HEXAGON NUT M6-8 A1C	4	pcs
	080.0406.D	- POP RIVET 4X6 ELZN/ELZN	16	pcs
520.2800.B		FASTENERS REAR M. MNT ADPTR TO MOTOR		
	001.1020.E	- FLANGED HEAD HEX SCREW M10X20	4	pcs
520.2900.A		FASTENERS BATT ACC LID TO LF		
	011.4812.F	- FLANGED SPS ST 4.8X12	2	pcs
520.3100.A		FASTENERS DASH BULKHEAD MNT TO LF		
	001.0616.E	- FLANGED HEAD HEX SCREW M6X16	2	pcs
530.1040.B		FASTENERS-STRUT		
	002.1058.A	- BOLT HEX M10X1.5-58	3	pcs
	041.1015.A	- NUT SELF LOCKING M10X1.5	3	pcs
	049.0812.A	- NUT CAPTIVE WASHER M8X1.25	6	pcs
530.1080.B		FASTENERS-CONTROL ARM		
	002.1283.A	- BOLT HEX DIN 960 M12X1.25-83	2	pcs
	020.1027.A	- WASHER 10X27-2.5	4	pcs
	020.1224.A	- WASHER 12X24-2.5	4	pcs
	041.1015.A	- NUT SELF LOCKING M10X1.5	4	pcs
	041.1212.A	- NUT SELF LOCKING M12X1.25	2	pcs
	530.1140.B	- PROTECTOR	1	pcs
530.3020.D		FASTENERS-FRONT STAB BAR INNER		
	015.1030.A	- SCREW TORX M10X1.50-32	4	pcs
	050.1000.C	- GREASE, VALVOLINE X-ALL NLGI 2	1	ml
530.3060.C		FASTENERS-FRONT STAB BAR OUTER		
	001.0855.A	- BOLT HEX HEAD M8X1.25-55	4	pcs



Part #	Content	Part Description	Qty	Units
	020.0816.A	- WASHER M8X16-1.5	4	pcs
531.2010.H		FASTENERS-REAR SUSPENSION		
	001.1200.E	- FLANGED HEAD HEX SCREW M12X105 10.9	2	pcs
	008.1211.A	- BOLT HEX W/ FLANGED HEAD M12X150-115	2	pcs
	015.1030.A	- SCREW TORX M10X1.50-32	2	pcs
	024.1260.A	- WASHER 12.5X60-3.0	4	pcs
532.1040.B		FASTENERS WHEEL STEEL RIM		
	001.1225.A	- WHEEL BOLT, STEEL RIM, M12X1.25-25	16	pcs
532.1050.A		FASTENERS WHEEL ALU RIM		
	532.1020.B	- WHEEL BOLT, ALU RIM M12X1.25-33	16	pcs
533.1030.E		FASTENERS-DRIVESHAFT		
	047.2015.A	- NUT HM20X150	2	pcs
	050.1000.C	- GREASE, VALVOLINE X-ALL NLGI 2	1	ml
534.1030.C		FASTENERS-STEERING GEAR		
	016.0835.A	- SCREW M8 STEERING COLUMN TO PINION	1	pcs
	017.1032.A	- BOLT TORX HD M10X125-32	3	pcs
	020.1025.A	- WASHER M10X25-3.0	3	pcs
	040.0810.A	- NUT M8X1.25-10	1	pcs
	041.1016.A	- NUT M10 W/PLASTIC NECK	2	pcs
534.2060.E		FASTENERS-PAS PIPES & PP		
	001.0840.A	- FLANGED HEAD HEX SCREW M8X40	1	pcs
	006.0820.D	- SPS PAN HEAD SCREW 8X20	1	pcs
	024.0824.D	- LARGE SIZE WASHER DIN 9021 ST 8.4 A1C M8X24	1	pcs
	042.0800.D	- FLANGE LOCK NUT M8	3	pcs
	070.1700.C	- SPRING BAND CTC Ø 17-19 MM	1	pcs
534.3030.D		FASTENERS-STEERING COLUMN		
	010.0831.A	- BOLT M8X31	1	pcs
	046.0813.A	- NUT HEX FLANGE M8	3	pcs
535.1020.D		FASTENERS-ACCELERATOR PEDAL		
	006.0645.E	- SPS PAN HEAD SCREW M6X45	3	pcs
537.1040.C		FASTENERS-HANDBRAKE CABLE CLIPS		
	078.0010.C	- ZIP TIE 4.8X300 MM	2	pcs
	078.1030.A	- STUD MOUNT TIE M5 M20X4.6	2	pcs
537.1080.B		FASTENERS-HANDBRAKE ASSY		
	015.0825.A	- BOLT, WASHER M8X1.25-25	2	pcs
	032.4000.A	- PLUG BUTTON Ø40	2	pcs
	040.0810.A	- NUT M8X1.25-10	1	pcs
537.2110.D		FASTENERS - BRAKE FLUID		
	051.1000.E	- BRAKE FLUID DOT4	1	ml
537.2170.D		FASTENERS-FRONT BRAKE HOSE/PIPE BRACKET		
	001.0616.E	- FLANGED HEAD HEX SCREW M6X16	4	pcs
537.2230.A		FASTENERS-PIN, QUICK FIT		
	050.1000.C	- GREASE, VALVOLINE X-ALL NLGI 2	10	ml



Part #	Content	Part Description	Qty	Units
537.2240.B		FASTENERS-MASTER CYL AND SERVO		
	049.0812.A - NUT	CAPTIVE WASHER M8X1.25	4	pcs
537.2250.B		FASTENERS-BRAKE PEDAL AND BRACKET		
	049.0610.A	- NUT FLANGE M6X1.0-8.0-13.0	4	pcs
537.2670.F		FASTENERS-BRAKE PIPE CLIPS ABS		
	061.1475.C	- CLIP BRAKE PIPE CENTRE Ø4.75, Ø6.5	17	pcs
	062.1000.D	- CLIP BRAKE PIPE DOUBLE Ø4.75, Ø6.5, 14	2	pcs
537.2680.D		FASTENERS-BRAKE PRESSURE SENSOR		
	012.0919.A	- COPPER WASHER Ø9.5-19 T1	1	pcs
	042.0600.E	- FLANGE LOCK NUT M6	1	pcs
537.3040.D		FASTENERS-VACUUM PUMP		
	042.0600.E	- FLANGE LOCK NUT M6	3	pcs
	070.1700.D	- SPRING BAND CTC Ø 17-19 MM	2	pcs
537.4050.D		FASTENERS-ABS BLOCK		
	001.0612.E	- FLANGED HEAD HEX SCREW M6X12	2	pcs
	019.0628.A	- BOLT TORX FLAT HEAD, M6-28	3	pcs
537.4220.D		FASTENERS - FRONT ABS SENSORS		
	001.0616.E	- FLANGED HEAD HEX SCREW M6X16	6	pcs
537.4530.C		FASTENERS-RR ABS SENSOR CONN		
	060.0010.A	- CLIP,REAR ABS SENSOR	6	pcs
	078.1030.A	- STUD MOUNT TIE M5 M20X4.6	2	pcs
537.4540.A		FASTENERS - BRKT ABS BLOCK		
	019.0628.A	- BOLT TORX FLAT HEAD, M6-28	3	pcs
537.4550.A		FASTENERS - BRKT WSS FRONT		
	015.0612.A	- BOLT CAPTIVE WASHER M6X100-12	2	pcs
537.4560.A		FASTENERS - BRKT WSS REAR		
	008.0622.A	- BOLT HEX W/ FLANGED HEAD M6X22	2	pcs
539.1040.D		FASTENERS-GEARSHIFT CABLE BRACKET		
	006.0616.E	- SPS PAN HEAD SCREW 6X16	3	pcs
539.1080.D		FASTENERS-GEARSHIFT CONTROL		
	006.0616.E	- SPS PAN HEAD SCREW 6X16	4	pcs
541.1015.A		FASTENER HARNESS CABIN		
	015.0620.D	- SIX POINT SOCKET SCREW C.W. 6X20	2	pcs
	078.0010.C	- ZIP TIE 4.8X300 MM	5	pcs
541.1025.B		FASTENER HARNESS DASH/OBD		
	012.3525.A	- PT K35X25 WN 1452	2	pcs
	015.0620.D	- SIX POINT SOCKET SCREW C.W. 6X20	6	pcs
	041.0600.E	- SELF LOCKING HEXAGON NUT M6-8 A1C	1	pcs
	042.0400.B	- FLANGE LOCK NUT M4	1	pcs
	043.3500.A	- U-NUT 17.2X11.1-3.5	2	pcs
	078.1028.C	- ZIP TIE FOOT D10-28 - D6.5	1	pcs
	078.4518.A	- ZIP TIE EDGE PANEL FIT - ROT. 4,5X182	1	pcs
	460.0120.A	- VELCRO 38MM HOOK	1	pcs
	460.0121.A	- VELCRO 38MM VELOUR	1	pcs
541.1200.A		FASTENER HARNESS FRONT		



Part #	Content	Part Description	Qty	Units
542.1095.A	006.0512.F	- SPS PAN HEAD SCREW 5X12	2	pcs
	015.0620.D	- SIX POINT SOCKET SCREW WITH C.W. 6X20	3	pcs
		FASTENER MAINS DISTR. INLET ASSY - IEC-309		
	001.0616.E	- FLANGED HEAD HEX SCREW M6X16	4	pcs
	006.0516.F	- SPS PAN HEAD SCREW 5X16	4	pcs
542.2025.A		FASTENER CBL TRACTION FEED TO PCU - ZEBRA		
	041.0600.E	- SELF LOCKING HEXAGON NUT M6-8 A1C	3	pcs
543.1025.A		FASTENER INSTRUMENT CLUSTER		
	014.4816.E	- SPS ST 4.8X16	4	pcs
543.1085.A		FASTENER PATS		
	014.4216.E	- SPS ST 4.2X16	3	pcs
543.1145.B		FASTENER GROUND PLANE RADIO ANTENNA		
	081.0510.A	- POP RIVET 5X10 ELZN/ELZN	6	pcs
	095.0515.B	- ADHESIVE NEOPREN C.C.R. STRIP 5X15	1	pcs
543.1210.A		FASTENER HORN		
	001.0616.E	- FLANGED HEAD HEX SCREW M6X16	1	pcs
543.1220.A		FASTENER SWITCH INERTIA		
	006.0516.F	- SPS PAN HEAD SCREW 5X16	2	pcs
543.1230.A		FASTENER ANTENNA		
	010.0525.A	- CSK SHCS M5X25 TX 20 8.8 ZN	1	pcs
543.1240.B		FASTENER LH/RH BRKTS FUSE BOX		
	042.0600.E	- FLANGE LOCK NUT M6	4	pcs
	089.0605.C	- TWO STEPS RIVIT 6X3-5	1	pcs
543.2015.A		FASTENER BRKT RELAY BOX		
	001.0612.E	- FLANGED HEAD HEX SCREW M6X12	1	pcs
	001.0820.E	- FLANGED HEAD HEX SCREW M8X20	1	pcs
543.2025.A		FASTENER CBL TRACTION BATT TO GND		
	015.0620.D	- SIX POINT SOCKET SCREW WITH C.W. 6X20	1	pcs
543.2045.A		FASTENER BRKT RESTRAINER GEM&PPU		
	042.0400.B	- FLANGE LOCK NUT M4	2	pcs
543.2095.A		FASTENER BRKT SKID PLATE FRONT		
	078.1030.A	- STUD MOUNT TIE M5 M20X4.6	4	pcs
543.2310.A		FASTENER BRKT SKID PLATE REAR		
	078.1030.A	- STUD MOUNT TIE M5 M20X4.6	3	pcs
543.2410.A		FASTENER BRKT CABLE CONNECTOR HOLDER		
	001.0616.E	- FLANGED HEAD HEX SCREW M6X16	2	pcs
	042.0600.E	- FLANGE LOCK NUT M6	1	pcs
543.2610.A		FASTENER BRKT BOX HOLDER RAC-U		
	006.0530.E	- SPS PAN HEAD SCREW M5X30	1	pcs
	095.0215.A	- ADHESIVE NEOPREN C.C.R. STRIP 2X15	1	mm
550.8010.E		FASTENER - COOLANT RESERVOIR		
	011.4819.F	- SIX POINT SOCKET STS WITH C.W. 4.8X19	3	pcs
	043.4800.D	- U-CLIPS ST 4.8	3	pcs



Part #	Content	Part Description	Qty	Units
550.8020.B		FASTENER - RAD & FAN ASSY		
	001.0625.E	- FLANGED HEAD HEX SCREW M6X25	3	pcs
550.8030.B		FASTENER - BRKT COOLING PUMP		
	001.0616.E	- FLANGED HEAD HEX SCREW M6X16	2	pcs
550.8040.C		FASTENER - BRKT COOLANT RESERVOIR REAR		
	041.0600.E	- SELF LOCKING HEXAGON NUT M6-8 A1C	2	pcs
550.8050.B		FASTENER - HOSE PCU TO MOTOR		
	078.2330.A	- HOSE CLIP Ø23-Ø30	1	pcs
550.8060.A		FASTENER - HOSE RADIATOR TO PCU		
	078.1028.C	- ZIP TIE FOOT D10-28 - D6.5	2	pcs
550.8070.A		FASTENER - BRKT COOLING PUMP 2		
	011.4819.F	- SIX POINT SOCKET STS WITH C.W. 4.8X19	2	pcs
	043.4801.D	- U-CLIP ST 4.8 BIG	2	pcs
550.8080.A		FASTENER - COOLING PUMP		
	043.4900.A	- U-CLIP SPRINGFIX 8SXN59L	2	pcs
550.8090.A		FASTENER - COOLING PUMP 2		
	043.4900.A	- U-CLIP SPRINGFIX 8SXN59L	2	pcs
551.8010.C		FASTENER - AIR INTAKE DUCT		
	011.4819.F	- SIX POINT SOCKET STS WITH C.W. 4.8X19	1	pcs
	043.4800.D	- U-CLIPS ST 4.8	1	pcs
	047.0513.E	- CLIP PANEL EDGE	4	pcs
551.8020.B		FASTENER - POLLEN FILTER HOUSING		
	001.0625.E	- FLANGED HEAD HEX SCREW M6X25	1	pcs
551.8120.D		FASTENER - DEMIST DUCT CLOSURE		
	012.6012.D	PT K60X12 WN 1452	16	pcs
	024.0618.E	LARGE WASHER DIN 9021 ST A6,4 AIC M6X18	16	pcs
552.8010.B		FASTENER - HEATER ASSY		
	001.0616.E	- FLANGED HEAD HEX SCREW M6X16	2	pcs
	001.0630.E	- FLANGED HEAD HEX SCREW M6X30	1	pcs
	006.0420.F	- SPS PAN HEAD SCREW M4X20	1	pcs
	012.4016.D	- PT K40X16 WN 1451	2	pcs
	078.4518.A	- ZIP TIE EDGE PANEL FIT - ROT. 4,5X182	1	pcs
	552.1021.A	HEATER PIPE SEAL	1	pcs
	552.1022.A	HEATER PIPE WASHER	1	pcs
	552.1023.A	HEATER PIPE NUT	1	pcs
	552.1024.A	HEATER LOCATING PIN	1	pcs
552.8020.A		FASTENER - CONDENSATE PLUG		
	032.3800.C	- PLUG BUTTON Ø38	1	pcs
552.8030.B		FASTENER - FLUID HEATER		
	001.0616.E	- FLANGED HEAD HEX SCREW M6X16	2	pcs
	015.0620.D	- SIX POINT SOCKET SCREW WITH C.W. 6X20	1	pcs
	043.4900.A	- U-CLIP SPRINGFIX 8SXN59L	2	pcs
552.8070.A		FASTENER - CDCM		
	012.4016.D	- PT K40X16 WN 1451	3	pcs
552.8150.B		FASTENER - HOSE HTR ASSY TO PUMP		





Part #	Content	Part Description	Qty	Units
	078.2225.C	- HOSE CLIP ADHESIVE Ø22-25	2	pcs
560.8010.F		FASTENERS ROOF PANEL		
	090.0010.C	- PU ADHESIVE BETAMATE 2700 PART A	1	ml
	090.0011.C	- PU ADHESIVE BETAMATE 2700 PART B	1	ml
	092.0000.E	- PRIMER BETAPRIME 5404	1	ml
	094.0000.D	- CLEANER BETACLEAN 3350	1	ml
	095.2500.A	- FOAM ADHESIVE TAPE 8 X 25	1	mm
560.8020.C		FASTENERS ROCKER PANEL		
	011.4819.F	- SIX POINT SOCKET STS WITH C.W. 4.8X19	6	pcs
	012.5018.B	- PT K50X18 WN 1461 W CAPTIVE WASHER	6	pcs
	015.0516.E	- SIX POINT SOCKET SCREW WITH C.W. 5X16	6	pcs
	043.6908.D	- CAPTIVE NUT LOW 6.9X0.8	6	pcs
560.8040.C		FASTENERS BODYSIDE		
	012.5018.B	- PT K50X18 WN 1461 W CAPTIVE WASHER	12	pcs
	015.0516.E	- SIX POINT SOCKET SCREW WITH C.W. 5X16	8	pcs
	043.4800.D	- U-CLIPS ST 4.8	2	pcs
	043.6908.D	- CAPTIVE NUT LOW 6.9X0.8	12	pcs
560.8050.C		FASTENERS DOOR		
	011.4819.F	- SIX POINT SOCKET STS WITH C.W. 4.8X19	8	pcs
	043.6971.D	- CAPTIVE NUT TALL 6.9X7.1	8	pcs
	090.0010.C	- PU ADHESIVE BETAMATE 2700 PART A	1	ml
	090.0011.C	- PU ADHESIVE BETAMATE 2700 PART B	1	ml
	092.0000.E	- PRIMER BETAPRIME 5404	1	ml
	094.0000.D	- CLEANER BETACLEAN 3350	1	ml
560.8060.C		FASTENERS FENDER		
	011.4819.F	- SIX POINT SOCKET STS WITH C.W. 4.8X19	10	pcs
	012.5018.B	- PT K50X18 WN 1461 W CAPTIVE WASHER	2	pcs
	015.0516.E	- SIX POINT SOCKET SCREW WITH C.W. 5X16	8	pcs
	043.4800.D	- U-CLIPS ST 4.8	4	pcs
	043.6908.D	- CAPTIVE NUT LOW 6.9X0.8	2	pcs
560.8070.C		FASTENERS REAR END PANEL		
	001.0616.E	- FLANGED HEAD HEX SCREW M6X16	2	pcs
	011.4819.F	- SIX POINT SOCKET STS WITH C.W. 4.8X19	5	pcs
	015.0516.E	- SIX POINT SOCKET SCREW WITH C.W. 5X16	1	pcs
	043.4800.D	- U-CLIPS ST 4.8	4	pcs
	043.6908.D	- CAPTIVE NUT LOW 6.9X0.8	5	pcs
560.8080.B		FASTENERS REAR END TO BODYSIDE		
	011.4819.F	- SIX POINT SOCKET STS WITH C.W. 4.8X19	18	pcs
	043.4801.D	- U-CLIP ST 4.8 BIG	18	pcs
560.8110.B		FASTENERS BRACKET IEC 309		
	001.0616.E	- FLANGED HEAD HEX SCREW M6X16	4	pcs
560.8130.B		FASTENERS BRACKET FENDER		
	001.0616.E	- FLANGED HEAD HEX SCREW M6X16	4	pcs
560.8140.B		FASTENERS HOOD HINGE		
	001.0616.E	- FLANGED HEAD HEX SCREW M6X16	2	pcs
560.8150.C		FASTENERS BRACKET HOOD HINGE		



Part #	Content	Part Description	Qty	Units
	001.0616.E	- FLANGED HEAD HEX SCREW M6X16	4	pcs
560.8170.D		FASTENERS HOOD		
	014.4819.D	- SPS ST 4.8X19 DIN 7981 ELZN	2	pcs
	047.0500.B	- PUSH ON RETAINER 5MM	1	pcs
	078.4979.A	- PIPE CLIP BUTTON TYPE Ø4.9 Ø7.9	1	pcs
560.8180.C		FASTENERS BRACKET FRONT BUMPER		
	001.0820.E	- FLANGED HEAD HEX SCREW M8X20	1	pcs
560.8190.B		FASTENERS BRACKET FRONT FENDER		
	001.0616.E	- FLANGED HEAD HEX SCREW M6X16	2	pcs
560.8200.C		FASTENERS CHARGE DOOR		
	012.3507.D	- PT K35X7 WN 1451	1	pcs
	012.4016.D	- PT K40X16 WN 1451	2	pcs
	090.0100.A	- ADHESIVE ARALDITE 2022	1	ml
	090.0500.A	- ADHESIVE PERMABOND 735	1	psc
	092.0020.A	- PRIMER MOC 101H 5,1 KG	1	psc
560.8210.A		FASTENERS BUMP STOP		
	006.0516.F	- SPS PAN HEAD SCREW 5X16	2	pcs
	020.0600.F	- ROUND WASHER DIN 125 ST A4.3 A1C	2	pcs
560.8220.A		FASTENERS BODYPANELS SUB-ASSY		
	090.0100.A	- ADHESIVE ARALDITE 2022	1	ml
	092.0020.A	- PRIMER MOC 101H 5,1 KG	1	psc
561.8010.I		FASTENERS WINDSCREEN		
	090.0010.C	- PU ADHESIVE BETAMATE 2700 PART A	1	ml
	090.0011.C	- PU ADHESIVE BETAMATE 2700 PART B	1	ml
	092.0000.E	- PRIMER BETAPRIME 5404	1	ml
	092.0010.C	- PRIMER BETAPRIME 5061	1	ml
	094.0000.D	- CLEANER BETACLEAN 3350	1	ml
	094.0001.D	- CLEANER BETACLEAN 3300	1	ml
	095.2500.A	- FOAM ADHESIVE TAPE 8 X 25	1	mm
561.8030.I		FASTENERS QUARTERGLASS		
	090.0010.C	- PU ADHESIVE BETAMATE 2700 PART A	1	ml
	090.0011.C	- PU ADHESIVE BETAMATE 2700 PART B	1	ml
	092.0000.E	- PRIMER BETAPRIME 5404	1	ml
	092.0010.C	- PRIMER BETAPRIME 5061	1	ml
	094.0000.D	- CLEANER BETACLEAN 3350	1	ml
	094.0001.D	- CLEANER BETACLEAN 3300	1	ml
	095.0603.C	- ADHESIVE TAPE FOAM 6X3	1	mm
	095.2500.A	- FOAM ADHESIVE TAPE 8 X 25	1	mm
562.8010.B		FASTENERS REAR LAMPS		
	024.0618.E	- LARGE WASHER DIN 9021 ST A6,4 A1C M6X18	8	pcs
	041.0600.E	- SELF LOCKING HEXAGON NUT M6-8 A1C	8	pcs
562.8020.C		FASTENERS CHMSL		
	006.0512.F	- SPS PAN HEAD SCREW 5X12	2	pcs
563.8010.B		FASTENERS LIFTGATE LATCH		
	001.0616.E	- FLANGED HEAD HEX SCREW M6X16	2	pcs
563.8030.C		FASTENERS LIFTGATE LATCH BRKT		



Part #	Content	Part Description	Qty	Units
563.8040.B	001.0820.E	- FLANGED HEAD HEX SCREW M8X20	2	pcs
	047.0200.E	- PUSH ON RETAINER 2MM - SMALL	2	pcs
	014.4216.E	FASTENERS LIFTGATE LATCH ACTUATOR - SPS ST 4.2X16	2	pcs
563.8050.B		FASTENERS HOOD LATCH		
	001.0816.E	- FLANGED HEAD HEX SCREW M8X16	2	pcs
563.8060.B		FASTENERS BRACKET HOOD RELEASE		
	080.0510.D	- POP RIVET 5X10 ELZN/ELZN BK	4	pcs
563.8070.B		FASTENERS HANDLE RELEASE HOOD		
	001.0616.E	- FLANGED HEAD HEX SCREW M6X16	2	pcs
565.8000.B		FASTENERS UPPER BULKHEAD PANEL		
	080.0516.D	- POP RIVET 5X16 ELZN/ELZN	21	pcs
565.8010.B		FASTENERS WIPER SUPPORT BRKT		
	001.0616.E	- FLANGED HEAD HEX SCREW M6X16	5	pcs
565.8020.B		FASTENERS WIPER MECHANISM		
	024.0618.E	- LARGE WASHER DIN 9021 ST A6,4 AIC M6X18	4	pcs
	041.0600.E	- SELF LOCKING HEXAGON NUT M6-8 A1C	4	pcs
	080.0516.D	- POP RIVET 5X16 ELZN/ELZN	2	pcs
565.8030.D		FASTENERS WASHER BOTTLE		
	001.0616.E	- FLANGED HEAD HEX SCREW M6X16	1	pcs
	011.4819.F	- SIX POINT SOCKET STS WITH C.W. 4.8X19	1	pcs
	043.4801.D	- U-CLIP ST 4.8 BIG	1	pcs
565.8040.C		FASTENERS LEAF SCREEN		
	072.8000.D	- REMOVABLE PLASTIC TRIM CLIP,3-5 D8,0-2	5	pcs
	095.0603.C	- ADHESIVE TAPE FOAM 6X3	1500	mm
566.8010.B		FASTENERS LIFTGATE HINGE BRKT		
	001.0820.E	- FLANGED HEAD HEX SCREW M8X20	4	pcs
	024.0820.E	- LARGE SIZE WASHER ST 8.4 AIC 8.4X20X5	4	pcs
566.8020.C		FASTENERS LIFTGATE HINGE		
	007.0852.D	- SHOULDER SCREW ISO 7379 M8/10X54	2	pcs
	030.1009.E	- FLANGE BUSH	4	pcs
	085.0800.C	- COVER FOR UNBRAKO HEAD	2	pcs
566.8030.C		FASTENERS UPR SPOILER		
	024.0618.E	- LARGE WASHER DIN 9021 ST A6,4 AIC M6X18	2	pcs
	041.0600.E	- SELF LOCKING HEXAGON NUT M6-8 A1C	2	pcs
566.8050.G		FASTENERS GAS STRUT BRKT LWR		
	090.0001.D	- ADHESIVE PU BETAMATE X-2500	1	ml
	092.0010.C	- PRIMER BETAPRIME 5061	1	ml
	094.0000.D	- CLEANER BETACLEAN 3350	1	ml
	094.0001.D	- CLEANER BETACLEAN 3300	1	ml
	095.0603.C	- ADHESIVE TAPE FOAM 6X3	1	mm
566.8060.G		FASTENERS STRIKER MOULDING		
	090.0001.D	- ADHESIVE PU BETAMATE X-2500	1	ml
	092.0000.E	- PRIMER BETAPRIME 5404	1	ml
	092.0010.C	- PRIMER BETAPRIME 5061	1	ml
	094.0000.D	- CLEANER BETACLEAN 3350	1	ml

BACK TO INTRODUCTION



Part #	Content	Part Description	Qty	Units
	094.0001.D	- CLEANER BETACLEAN 3300	1	ml
566.8070.B		FASTENERS LIFGATE STRIKER		
	003.0625.F	- CSK TORX M6X25	2	pcs
	024.0618.E	- LARGE WASHER DIN 9021 ST A6,4 AIC M6X18	2	pcs
	041.0600.E	- SELF LOCKING HEXAGON NUT M6-8 A1C	2	pcs
566.8080.C		FASTENERS LIFGATE		
	024.0824.E	- LARGE WASHER DIN 9021 ST 8.4 A1C M8X24	2	pcs
	041.0800.E	- SELF LOCKING HEXAGON NUT M8-8 A1C	2	pcs
566.8090.B		FASTENERS GAS STRUT		
	024.0824.E	- LARGE WASHER DIN 9021 ST 8.4 A1C M8X24	2	pcs
567.8010.C		FASTENERS FRONT BUMPER		
	011.4819.F	- SIX POINT SOCKET STS WITH C.W. 4.8X19	8	pcs
	043.4800.D	- U-CLIPS ST 4.8	4	pcs
	072.8010.D	- PLASTIC RIVET 8X3-10MM	1	pcs
567.8020.C		FASTENERS REAR BUMPER		
	011.4819.F	- SIX POINT SOCKET STS WITH C.W. 4.8X19	12	pcs
	043.4800.D	- U-CLIPS ST 4.8	4	pcs
567.8030.C		FASTENERS FRONT WHEELHOUSE		
	001.0616.E	- FLANGED HEAD HEX SCREW M6X16	4	pcs
	043.4800.D	- U-CLIPS ST 4.8	8	pcs
567.8040.C		FASTENERS REAR WHEELHOUSE		
	011.4819.F	- SIX POINT SOCKET STS WITH C.W. 4.8X19	4	pcs
	012.5018.B	- PT K50X18 WN 1461 W CAPTIVE WASHER	4	pcs
	043.4800.D	- U-CLIPS ST 4.8	10	pcs
	043.6908.D	- CAPTIVE NUT LOW 6.9X0.8	4	pcs
567.8060.A		FASTENERS BUMPERS SUB-ASSY		
	090.0400.A	- ADHESIVE HM2510	1	ml
	092.0030.A	- PRIMER OS1200	1	pcs
568.8010.C		FASTENERS WAISTRAIL CAP		
	012.3510.A	- PT K35X10 WN 1451	2	pcs
568.8020.A		FASTENERS CANTRAIL CAP		
	079.0808.D	- CLIP PANEL EDGE	2	pcs
568.8030.C		FASTENERS FRONT WAISTRAIL CAP		
	012.3510.A	- PT K35X10 WN 1451	2	pcs
568.8040.B		FASTENERS FRONT GRILLE		
	001.0616.E	- FLANGED HEAD HEX SCREW M6X16	2	pcs
568.8050.B		FASTENERS FINISHER FRONT QUARTER		
	072.8200.C	- REMOVABLE TYPE PLASTIC TRIM CLIP 3	4	pcs
570.1003.B		FASTENERS - A-PILLAR TRIM		
	072.8000.D	- REMOVABLE PLASTIC TRIM CLIP,3-5 D8,0-2	8	pcs
	072.8001.C	- CLIP RETAINER HARD FIX	2	pcs
	072.8002.C	- CLIP RETAINER SEMI FLOATING	2	pcs



Part #	Content	Part Description	Qty	Units
	072.8003.C	- CLIP RETAINER FREE FLOATING	4	pcs
570.1025.C		FASTENERS - B-PILLAR TRIM LOWER		
	012.5018.B	- PT K50X18 WN 1461 W CAPTIVE WASHER	2	pcs
	043.6908.D	- CAPTIVE NUT LOW 6.9X0.8	2	pcs
	072.8000.D	- REMOVABLE PLASTIC TRIM CLIP,3-5 D8,0-2	4	pcs
	072.8002.C	- CLIP RETAINER SEMI FLOATING	2	pcs
	072.8003.C	- CLIP RETAINER FREE FLOATING	2	pcs
	091.0002.A	- JET MELT 3748Q	14	pcs
570.1031.B		FASTENERS - SUNVISORS		
	014.4816.E	- SPS ST 4.8X16	4	pcs
570.1034.B		FASTENERS - COAT HOOK		
	014.4816.E	- SPS ST 4.8X16	1	pcs
570.1056.C		FASTENERS - LIFTGATE SILLMOULDING		
	012.5018.B	- PT K50X18 WN 1461 W CAPTIVE WASHER	4	pcs
	043.6908.D	- CAPTIVE NUT LOW 6.9X0.8	5	pcs
	047.0715.D	- CLIP PANEL EDGE T7XB15XD11	5	pcs
	089.0605.C	- TWO STEPS RIVIT 6X3-5	2	pcs
570.1103.B		FASTENERS - IP END PANEL, LH		
	011.4812.F	- FLANGED SPS ST 4.8X12		pcs
	014.4816.E	- SPS ST 4.8X16	2	pcs
	043.4800.D	- U-CLIPS ST 4.8	2	pcs
	097.1430.B	- DUAL LOCK 14X30MM	2	mm
570.1104.B		FASTENERS - IP END PANEL, RH		
	011.4812.F	- FLANGED SPS ST 4.8X12	5	pcs
	097.1430.B	- DUAL LOCK 14X30MM	3	mm
570.1107.C		FASTENERS - KNEE BOLSTER SHELF, LH		
	014.4209.E	- SPS ST 4.2X9.5	1	pcs
	087.2503.C	- HOLE PLUG 25X3	2	pcs
	097.1430.B	- DUAL LOCK 14X30MM	2	mm
570.1110.D		FASTENERS - KNEE BOLSTER SHELF, RH		
	011.4812.F	- FLANGED SPS ST 4.8X12	1	pcs
	014.4209.E	- SPS ST 4.2X9.5	3	pcs
	087.2503.C	- HOLE PLUG 25X3	2	pcs
	097.1430.B	- DUAL LOCK 14X30MM	3	mm
570.1240.B		FASTENERS - B-PILLAR TRIM UPPER		
	072.8000.D	- REMOVABLE PLASTIC TRIM CLIP,3-5 D8,0-2	6	pcs
	072.8001.C	- CLIP RETAINER HARD FIX	2	pcs
	072.8002.C	- CLIP RETAINER SEMI FLOATING	2	pcs
	072.8003.C	- CLIP RETAINER FREE FLOATING	2	pcs
570.1241.C		FASTENERS - C-PILLAR TRIM		
	012.5018.B	- PT K50X18 WN 1461 W CAPTIVE WASHER	4	pcs
	043.6908.D	- CAPTIVE NUT LOW 6.9X0.8	4	pcs
	047.0715.D	- CLIP PANEL EDGE T7XB15XD11	8	pcs
570.1911.B		FASTENERS - HEAD LINING		
	072.3380.B	- PUSH-IN CLIP W-BUTTON T3,3-5 D8,0-2	7	pcs
570.3011.B		FASTENERS - MAIN LIGHT SWITCH		
	014.4816.E	- SPS ST 4.8X16	3	pcs



Part #	Content	Part Description	Qty	Units
	043.4800.D	- U-CLIPS ST 4.8	3	pcs
570.4150.C		FASTENERS - DOOR PANEL TRIM LH/RH		
	011.4812.F	- FLANGED SPS ST 4.8X12	4	pcs
	014.4838.E	- SPS ST 4.8X38	6	pcs
	043.6908.D	- CAPTIVE NUT LOW 6.9X0.8	6	pcs
	097.1430.B	- DUAL LOCK 14X30MM	4	mm
570.8050.C		FASTENERS - SILL PROTECTION		
	047.2530.E	- CLIP PANEL EDGE T2.5XH13.5XL30	4	pcs
570.8060.A		FASTENERS CARPET FRONT		
	072.8010.D	- PLASTIC RIVET 8X3-10MM	1	pcs
570.8314.C		FASTENERS - RETAINER - STRAP		
	006.0516.F	- SPS PAN HEAD SCREW 5X16	8	pcs
570.8316.C		FASTENERS - CHILD SEATBELT TETHER		
	090.0003.D	- SEALANT BETAFILL 10215	10	ml
570.9015.B		FASTENERS - BODYSIDE INNER POCKET LH/RH		
	014.4216.E	- SPS ST 4.2X16	10	pcs
571.3000.C		FASTENERS - SEATS		
	006.0420.F	- SPS PAN HEAD SCREW M4X20	2	pcs
	008.0516.A	- UNBRAKO SCREW M5X16, FLANGED	4	pcs
	008.0825.B	- UNBRAKO SCREW M8X25 - 8.8	8	pcs
	020.0801.A	- WASHER A 8.4 DIN 125 - ST GAL ZNC BLACK	4	pcs
	026.1001.B	- WASHER - SEAT RUNNER	8	pcs
	026.1002.A	- WASHER - SEAT RUNNER, UPPER	8	pcs
572.1008.A		FASTENERS - INSTRUMENT PANEL FRONT		
	072.8000.D	- REMOVABLE PLASTIC TRIM CLIP,3-5 D8,0-2	8	pcs
	072.8003.C	- CLIP RETAINER FREE FLOATING	8	pcs
572.2012.D		FASTENERS - CLUSTER SUPPORT STRUCTURE		
	011.4812.F	- FLANGED SPS ST 4.8X12	2	pcs
	012.6012.D	- PT K60X12 WN 1452	2	pcs
	024.0618.E	- LARGE WASHER DIN 9021 ST A6,4 AIC M6X18	4	pcs
	043.4800.D	- U-CLIPS ST 4.8	12	pcs
	043.4801.D	- U-CLIP ST 4.8 BIG	2	pcs
	091.0002.A	- JET MELT 3748Q	10	pcs
572.2015.B		FASTENERS - IP REAR FOAM LH		
	091.0002.A	- JET MELT 3748Q	10	pcs
572.2025.C		FASTENERS - IP REAR FOAM RH		
	012.6012.D	- PT K60X12 WN 1452	2	pcs
	024.0618.E	- LARGE WASHER DIN 9021 ST A6,4 AIC M6X18	2	pcs
	091.0002.A	- JET MELT 3748Q	10	pcs
572.3007.C		FASTENERS - KNEE BOLSTER FOAM		
	011.4812.F	- FLANGED SPS ST 4.8X12	7	pcs
572.4008.C		FASTENERS - CENTER STACK TOP PLATE		
	011.4812.F	- FLANGED SPS ST 4.8X12	2	pcs
572.4010.B		FASTENERS - BRACKET HEATER CONTROL		



Part #	Content	Part Description	Qty	Units
572.4014.B	012.3516.D	- PT K35X16 WN 1452	2	pcs
	012.4016.D	- PT K40X16 WN 1451	2	pcs
		FASTENERS - GEAR CONSOLE CLOSURE, LH/RH		
	011.4812.F	- FLANGED SPS ST 4.8X12	4	pcs
	014.4838.E	- SPS ST 4.8X38	2	pcs
	043.4800.D	- U-CLIPS ST 4.8	2	pcs
572.4016.B		FASTENERS - GEAR CONSOLE COVER		
	011.4812.F	- FLANGED SPS ST 4.8X12	3	pcs
572.4041.D		FASTENERS - CENTER CONSOLE		
	043.4800.D	U-CLIPS ST 4.8	3	pcs
572.4042.B		FASTENERS - CENTER STACK FRAME		
	011.4812.F	- FLANGED SPS ST 4.8X12	4	pcs
572.4043.B		FASTENERS - CENTER STACK SUPPORT		
	011.4812.F	- FLANGED SPS ST 4.8X12	4	pcs
	043.4800.D	- U-CLIPS ST 4.8	6	pcs
573.1012.B		FASTENERS - CLUSTER CLOSURE PANEL		
	014.4816.E	- SPS ST 4.8X16	1	pcs
	047.1848.E	- CLIP BLIND 18X4.8X13.6	1	pcs
573.1016.B		FASTENERS - SHROUD		
	012.4016.D	- PT K40X16 WN 1451	3	pcs
575.0011.D		FASTENERS - ECU		
	006.0620.E	- SPS PAN HEAD SCREW 6X20	2	pcs
	015.0620.D	- SIX POINT SOCKET SCREW WITH C.W. 6X20	1	pcs
575.0026.C		FASTENERS - BRKT - ECU PROTECTION COVER		
	001.0612.E	- FLANGED HEAD HEX SCREW M6X12	3	pcs
575.2003.B		FASTENERS - PASSENGER AIRBAG		
	022.0600.A	- SERRATED LOCKWASHER DIN 6798 ST V6.4	4	pcs
	041.0600.E	- SELF LOCKING HEXAGON NUT M6-8 A1C	4	pcs
575.3013.C		FASTENERS - SAFETY BELT LH/RH		
	001.1030.E	- FLANGED HEAD HEX SCREW M10X30	2	pcs
	006.1020.E	- SPS PAN HEAD SCREW M10X20 GUIDE	2	pcs
575.3023.B		FASTENERS - SEAT BELT RETRACTORS LH/RH		
	001.0835.E	- FLANGED HEAD HEX SCREW M8X35	4	pcs
575.3027.B		FASTENERS - SEAT BELT GUIDING LH/RH		
	080.0510.D	- POP RIVET 5X10 ELZN/ELZN BK	4	pcs
579.2013.A		FASTENERS - BRKT - LOUDSPEAKER, HANDSFREE		
	012.5016.D	- PT K50X16 WN 1452	1	pcs
	012.5018.B	- PT K50X18 WN 1461 W CAPTIVE WASHER	2	pcs
	043.6908.D	- CAPTIVE NUT LOW 6.9X0.8	3	pcs
	080.0508.D	- POP RIVET 5X8 ELZN/ELZN	4	pcs
579.2200.C		FASTENERS - LOUDSPEAKERS		
	011.4812.F	- FLANGED SPS ST 4.8X12	8	pcs
	043.6908.D	- CAPTIVE NUT LOW 6.9X0.8	8	pcs

BACK TO INTRODUCTION

**TH!NK**





Part no.	Description	Qty/Vehicle	Unit
001.0612.E	FLANGED HEAD HEX SCREW M6X12	6	pcs
001.0616.E	FLANGED HEAD HEX SCREW M6X16	67	pcs
001.0625.E	FLANGED HEAD HEX SCREW M6X25	8	pcs
001.0630.E	FLANGED HEAD HEX SCREW M6X30	1	pcs
001.0640.B	HEX SCREW DIN 933 M6X40 8.8 AIC	4	pcs
001.0810.E	FLANGED HEAD HEX SCREW M8X10	8	pcs
001.0816.E	FLANGED HEAD HEX SCREW M8X16	2	pcs
001.0820.E	FLANGED HEAD HEX SCREW M8X20	67	pcs
001.0835.E	FLANGED HEAD HEX SCREW M8X35	4	pcs
001.0840.A	FLANGED HEAD HEX SCREW M8X40	1	pcs
001.0855.A	BOLT HEX HEAD M8X1.25-55	4	pcs
001.1018.D	FLANGED HEAD HEX CREW M10X180	2	pcs
001.1020.E	FLANGED HEAD HEX SCREW M10X20	13	pcs
001.1030.E	FLANGED HEAD HEX SCREW M10X30	2	pcs
001.1080.E	FLANGED HEAD HEX SCREW M10X80	4	pcs
001.1200.E	FLANGED HEAD HEX SCREW M12X105 10.9	2	pcs
001.1225.A	WHEEL BOLT, STEEL RIM, M12X1.25-25	16	pcs
001.1230.E	FLANGED HEAD HEX SCREW M12X30	6	pcs
002.1058.A	BOLT HEX M10X1.5-58	3	pcs
002.1283.A	BOLT HEX DIN 960 M12X1.25-83	2	pcs
003.0625.F	CSK TORX M6X25	6	pcs
006.0420.F	SPS PAN HEAD SCREW M4X20	3	pcs
006.0512.F	SPS PAN HEAD SCREW 5X12	12	pcs
006.0516.F	SPS PAN HEAD SCREW 5X16	26	pcs
006.0530.E	SPS PAN HEAD SCREW M5X30	1	pcs
006.0616.E	SPS PAN HEAD SCREW 6X16	13	pcs
006.0620.E	SPS PAN HEAD SCREW 6X20	2	pcs
006.0645.E	SPS PAN HEAD SCREW M6X45	3	pcs
006.0820.E	SPS PAN HEAD SCREW 8X20	27	pcs
006.1020.E	SPS PAN HEAD SCREW M10X20 GUIDE	2	pcs
007.0852.D	SHOULDER SCREW ISO 7379 M8/10X54	2	pcs
008.0516.A	UNBRAKO SCREW M5X16, FLANGED	4	pcs
008.0622.A	BOLT HEX W/ FLANGED HEAD M6X22	2	pcs
008.0825.B	UNBRAKO SCREW M8X25 - 8.8	8	pcs
008.1211.A	BOLT HEX W/ FLANGED HEAD M12X150-115	2	pcs

BACK TO INTRODUCTION



Part no.	Description	Qty/Vehicle	Unit
010.0525.A	CSK SHCS M5X25 TX 20 8.8 ZN	1	pcs
010.0831.A	BOLT M8X31	1	pcs
011.4812.F	FLANGED SPS ST 4.8X12	61	pcs
011.4819.F	SIX POINT SOCKET STS WITH C.W. 4.8X19	78	pcs
012.0919.A	COPPER WASHER Ø9.5-19 T1	1	pcs
012.3507.D	PT K35X7 WN 1451	1	pcs
012.3510.A	PT K35X10 WN 1451	4	pcs
012.3516.D	PT K35X16 WN 1452	2	pcs
012.3525.A	PT K35X25 WN 1452	2	pcs
012.4016.D	PT K40X16 WN 1451	12	pcs
012.5016.D	PT K50X16 WN 1452	3	pcs
012.5018.B	PT K50X18 WN 1461 W CAPTIVE WASHER	36	pcs
012.6012.D	PT K60X12 WN 1452	20	pcs
014.4209.E	SPS ST 4.2X9.5	4	pcs
014.4216.E	SPS ST 4.2X16	30	pcs
014.4819.D	SPS ST 4.8X19 DIN 7981 ELZN	2	pcs
014.4838.E	SPS ST 4.8X38	8	pcs
015.0516.E	SIX POINT SOCKET SCREW WITH C.W. 5X16	6	pcs
015.0516.E	SIX POINT SOCKET SCREW WITH C.W. 5X16	17	pcs
015.0612.A	BOLT CAPTIVE WASHER M6X100-12	2	pcs
015.0620.D	SIX POINT SOCKET SCREW WITH C.W. 6X20	14	pcs
015.0825.A	BOLT, WASHER M8X1.25-25	2	pcs
015.1030.A	SCREW TORX M10X1.50-32	6	pcs
015.4816.A	PAN SDS AW 4.8X16	16	pcs
016.0835.A	SCREW M8 STEERING COLUMN TO PINION	1	pcs
017.1032.A	BOLT TORX HD M10X125-32	3	pcs
019.0628.A	BOLT TORX FLAT HEAD, M6-28	6	pcs
020.0600.F	ROUND WASHER DIN 125 ST A4.3 A1C	4	pcs
020.0801.A	WASHER A 8.4 DIN 125 - ST GAL ZNC BLACK	4	pcs
020.0816.A	WASHER M8X16-1.5	4	pcs
020.1000.E	ROUND WASHER DIN 125 ST A11 A1C	4	pcs
020.1025.A	WASHER M10X25-3.0	3	pcs
020.1027.A	WASHER 10X27-2.5	4	pcs
020.1224.A	WASHER 12X24-2.5	4	pcs
022.0600.A	SERRATED LOCKWASHER DIN 6798 ST V6.4 A1F	4	pcs
024.0618.E	LARGE WASHER DIN 9021 ST A6,4 A1C M6X18	42	pcs



Part no.	Description	Qty/Vehicle	Unit
024.0820.E	LARGE SIZE WASHER ST 8.4 AIC 8.4X20X5	4	pcs
024.0824.D	LARGE WASHER DIN 9021 ST 8.4 A1C M8X24	9	pcs
024.1260.A	WASHER 12.5X60-3.0	4	pcs
026.1001.B	WASHER - SEAT RUNNER	8	pcs
026.1002.A	WASHER - SEAT RUNNER, UPPER	8	pcs
030.1009.E	FLANGE BUSH	4	pcs
032.1619.C	RUBBER BLANK GROMMIT 16-19 1.5	2	pcs
032.3800.C	PLUG BUTTON Ø38	1	pcs
032.4000.A	PLUG BUTTON Ø40	2	pcs
040.0810.A	NUT M8X1.25-10	2	pcs
041.0600.E	SELF LOCKING HEXAGON NUT M6-8 A1C	29	pcs
041.0800.E	SELF LOCKING HEXAGON NUT M8-8 A1C	4	pcs
041.1000.E	SELF LOCKING HEXAGON NUT M10-8 A1C	3	pcs
041.1015.A	NUT SELF LOCKING M10X1.5	7	pcs
041.1016.A	NUT M10 W/PLASTIC NECK	2	pcs
041.1212.A	NUT SELF LOCKING M12X1.25	2	pcs
042.0400.B	FLANGE LOCK NUT M4	3	pcs
042.0500.E	FLANGE LOCK NUT M5	4	psc
042.0600.E	FLANGE LOCK NUT M6	21	pcs
042.0800.D	FLANGE LOCK NUT M8	9	pcs
043.3500.A	U-NUT 17.2X11.1-3.5	2	pcs
043.4800.D	U-CLIPS ST 4.8	68	pcs
043.4801.D	U-CLIP ST 4.8 BIG	23	pcs
043.4900.A	U-CLIP SPRINGFIX 8SXXN59L	6	pcs
043.6908.D	CAPTIVE NUT LOW 6.9X0.8	57	pcs
043.6971.D	CAPTIVE NUT TALL 6.9X7.1	8	pcs
046.0813.A	NUT HEX FLANGE M8	3	pcs
047.0200.E	PUSH ON RETAINER 2MM - SMALL	2	pcs
047.0500.B	PUSH ON RETAINER 5MM	1	pcs
047.0513.E	CLIP PANEL EDGE	4	pcs
047.0715.D	CLIP PANEL EDGE T7XB15XD11	13	pcs
047.1848.E	CLIP BLIND 18X4.8X13.6	1	pcs
047.2015.A	NUT HM20X150	2	pcs
047.2530.E	CLIP PANEL EDGE T2.5XH13.5XL30	4	pcs
049.0610.A	NUT FLANGE M6X1.0-8.0-13.0	4	pcs
049.0812.A	NUT CAPTIVE WASHER M8X1.25	10	pcs

BACK TO INTRODUCTION



Part no.	Description	Qty/Vehicle	Unit
050.1000.C	GREASE, VALVOLINE X-ALL NLGI 2	12	ml
051.1000.E	BRAKE FLUID DOT4	1	ml
060.0010.A	CLIP,REAR ABS SENSOR	6	pcs
061.1475.C	CLIP BRAKE PIPE CENTRE Ø4.75, Ø6.5	17	pcs
062.1000.D	CLIP BRAKE PIPE DOUBLE Ø4.75, Ø6.5, 14	2	pcs
070.1700.C	SPRINGBAND CTC Ø 17-19 MM	3	pcs
072.3380.B	PUSH-IN CLIP W-BUTTON T3,3-5 D8,0-2	7	pcs
072.8000.D	REMOVABLE TYPE PLASTIC CLIP,3-5 D8,0-2	31	pcs
072.8001.C	CLIP RETAINER HARD FIX	4	pcs
072.8002.C	CLIP RETAINER SEMI FLOATING	6	pcs
072.8003.C	CLIP RETAINER FREE FLOATING	16	pcs
072.8010.D	PLASTIC RIVET 8X3-10MM	2	pcs
072.8200.C	REMOVABLE TYPE PLASTIC TRIM CLIP 3	4	pcs
078.0010.C	ZIP TIE 4.8X300 MM	11	pcs
078.1028.C	ZIP TIE FOOT D10-28 - D6.5	7	pcs
078.1030.A	STUD MOUNT TIE M5 M20X4.6	11	pcs
078.2225.C	HOSE CLIP ADHESIVE Ø22-25	2	pcs
078.2330.A	HOSE CLIP Ø23-Ø30	1	pcs
078.4518.A	ZIP TIE PANEL FIT - ROT. 4,5X182 - 0.7-2.5	2	pcs
078.4979.A	PIPE CLIP BUTTON TYPE Ø4.9 Ø7.9	1	pcs
079.0808.D	CLIP PANEL EDGE	2	pcs
080.0406.D	POP RIVET 4X6 ELZN/ELZN	16	pcs
080.0508.D	POP RIVET 5X8 ELZN/ELZN	6	pcs
080.0508.D	POP RIVET 5X8 ELZN/ELZN	4	pcs
080.0510.D	POP RIVET 5X10 ELZN/ELZN BK	30	pcs
080.0516.D	POP RIVET 5X16 ELZN/ELZN	23	pcs
081.0510.A	POP RIVET 5X10 ELZN/ELZN	6	pcs
085.0800.C	COVER FOR UNBRAKO HEAD	2	pcs
087.2503.C	HOLE PLUG 25X3	4	pcs
089.0605.C	TWO STEPS RIVIT 6X3-5	3	pcs
090.0001.D	ADHESIVE PU BETAMATE X-2500	1	ml
090.0001.D	ADHESIVE PU BETAMATE X-2500	1	ml
090.0003.D	SEALANT BETAFILL 10215	11	ml
090.0010.C	PU ADHESIVE BETAMATE 2700 PART A	4	ml
090.0011.C	PU ADHESIVE BETAMATE 2700 PART B	4	ml



Part no.	Description	Qty/Vehicle	Unit
090.0100.A	ADHESIVE ARALDITE 2022	3	ml
090.0200.A	ADHESIVE BETASEAL 1527	1	ml
090.0400.A	ADHESIVE HM2510	1	ml
090.0500.A	ADHESIVE PERMABOND 735	1	psc
091.0002.A	JET MELT 3748Q	44	psc
092.0000.E	PRIMER BETAPRIME 5404	5	ml
092.0010.C	PRIMER BETAPRIME 5061	4	ml
092.0020.A	PRIMER MOC 101H 5,1 KG	1	psc
092.0020.A	PRIMER MOC 101H 5,1 KG	1	psc
092.0030.A	PRIMER OS1200	1	psc
094.0000.D	CLEANER BETACLEAN 3350	6	ml
094.0001.D	CLEANER BETACLEAN 3300	4	ml
095.0215.A	ADHESIVE NEOPREN C.C.R. STRIP 2X15	1	psc
095.0515.B	ADHESIVE NEOPREN C.C.R. STRIP 5X15	1	psc
095.0603.C	ADHESIVE TAPE FOAM 6X3	1502	mm
095.2500.A	FOAM ADHESIVE TAPE 8 X 25	3	psc
096.3319.A	VHB ACRYLIC FOAM TAPE 4952P 19X33000 MM	8260	mm
097.1430.B	DUAL LOCK 14X30MM	14	mm
460.0120.A	VELCRO 38MM HOOK	1	psc
460.0121.A	VELCRO 38MM VELOUR	1	psc
530.1140.B	PROTECTOR	1	psc
532.1020.B	WHEEL BOLT, ALU RIM M12X1.25-33	16	psc
552.1021.A	HEATER PIPE SEAL	1	psc
552.1022.A	HEATER PIPE WASHER	1	psc
552.1023.A	HEATER PIPE NUT	1	psc
552.1024.A	HEATER LOCATING PIN	1	psc

BACK TO INTRODUCTION